

## Features

- Lever handle.
- 35-degree spout.
- Includes showerhead with arm and flange, non-diverter spout with NPT connection, and faceplate with handle and push-button diverter.
- Pressure-balancing diaphragm technology maintains outlet temperature within +/-3 degrees Fahrenheit during water pressure fluctuations.
- High-temperature limit stop allows you to preset a comfortable maximum temperature to eliminate scalding.
- Coordinates with Purist® faucets and accessories.

## Material

- Premium material construction for durability and reliability.
- KOHLER finishes resist corrosion and tarnishing.

## Installation

- Trim only; requires valve to complete installation (sold separately).

## Required Products/Accessories

K-11748 Series Rite-Temp® Valves

## Recommended Products/Accessories

K-23723 Faucet cleaner

## Optional Products/Accessories

88526 Thin Wall Trim Kit

1016154 Rite-Temp® Deep Rough-In



## Codes/Standards

ASME A112.18.1/CSA B125.1


DOE - Energy Policy Act 1992

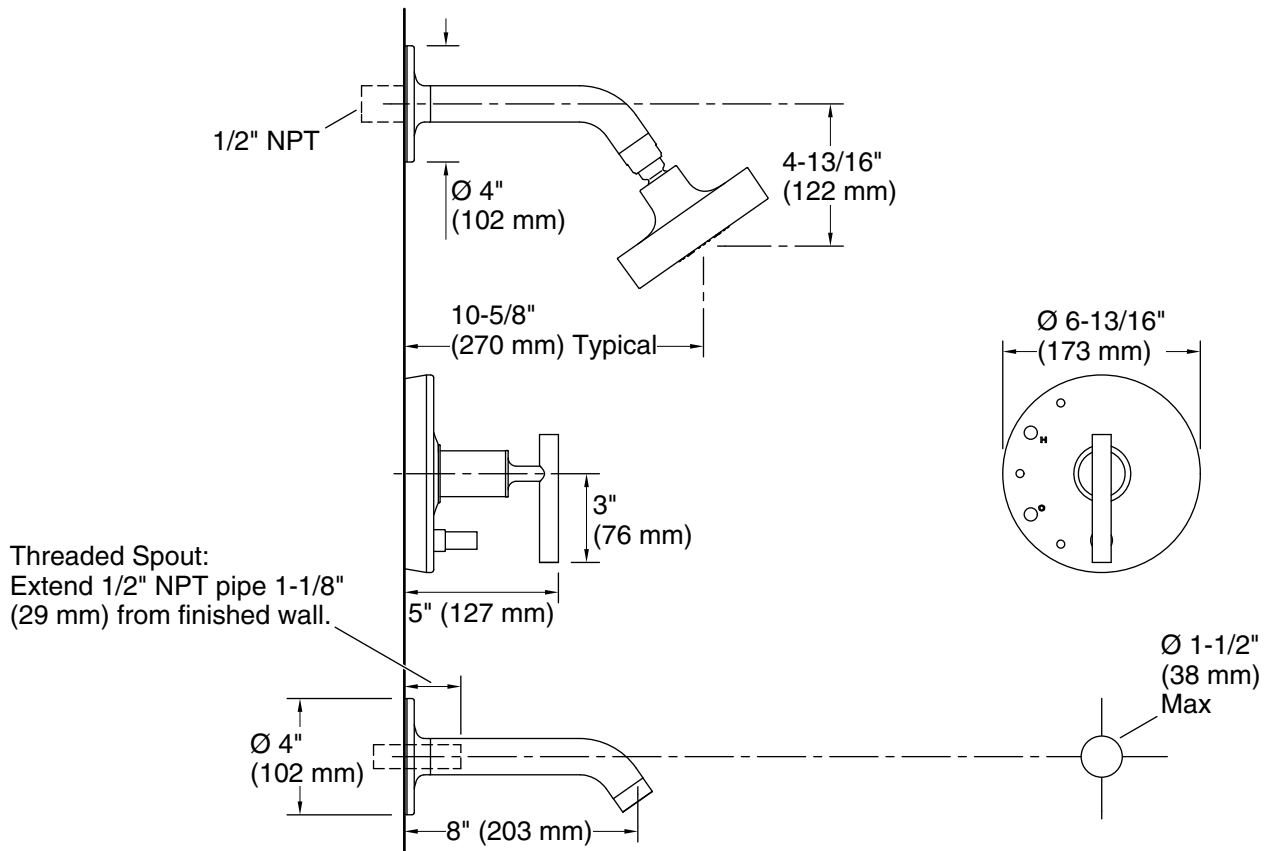
## KOHLER® Faucet Lifetime Limited Warranty

See website for detailed warranty information.

## Available Colors/Finishes

*Color tiles intended for reference only.*

Color	Code	Description
	CP	Polished Chrome
	SN	Vibrant® Polished Nickel
	AF	Vibrant® French Gold
	PGD	Vibrant® Moderne Polished Gold
	BGD	Vibrant® Moderne Brushed Gold
	G	Brushed Chrome
	BN	Vibrant® Brushed Nickel
	BV	Vibrant® Brushed Bronze
	BL	Matte Black
	RGD	Vibrant Rose Gold



**Technical Information**

All product dimensions are nominal.

Drain included: No

**Showerhead/Body Spray:**

Rated maximum flow: 2.5 gal/min (9.5 l/min)

Pressure: 80 psi (5.5 bar)

**Notes**

Install this product according to the installation guide.

Avoid cross-flow conditions. Do not install shut-off device on either valve outlet.

Cap the shower outlet if deck-mount spout, diverter, or handshower is connected to the spout outlet.

Install straight pipe or tube drop of 7" (178 mm) to 18" (457 mm) with single elbow between valve and wall-mount spout.