

Features

- Single-lever handle is simple to use and makes adjusting water temperature easy.
- One-piece, self-contained ceramic disc valve allows both volume and temperature control.
- KOHLER ceramic disc valves exceed industry longevity standards for a lifetime of durable performance.
- 1.2 gpm (4.5 lpm) maximum flow rate at 60 psi (4.14 bar).
- Box includes: Assembled faucet, supply lines, escutcheon plate, clicker drain.

Material

- Premium material construction for durability and reliability.
- Select KOHLER finishes feature ScratchShield® technology which withstands even the toughest daily use.
- Spot Repel™ finish resists fingerprints, smudges, and water spots (Oil-Rubbed Bronze and Matte Black finishes only).
- Select KOHLER finishes feature ScratchShield® technology which withstands even the toughest daily use.

Installation

- For single-hole or 4" (102 mm) centers.
- Simplified faucet assembly; mounting hardware requires no special tools.

Water Conservation & Rebates

- This product can help a building earn Water Efficiency points in LEED® Green Building Rating System.

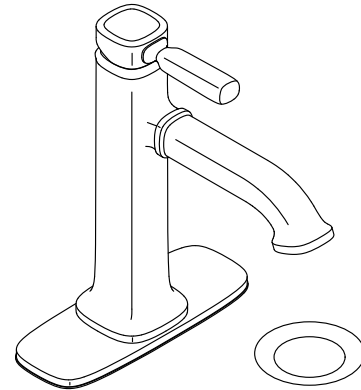
Recommended Products/Accessories

- K-23726 Drain treatment
- K-23723 Faucet cleaner

Included Components

Additional Components:

- Clicker drain
- Escutcheon plate
- Supply lines



ADA **CSA B651** **OBC**

Codes/Standards





ASME A112.18.1/CSA B125.1
 NSF/ANSI 61
 NSF/ANSI 372
 All applicable US Federal and State material regulations
 DOE - Energy Policy Act 1992
 EPA WaterSense®
 California Energy Commission (CEC)
 ADA
 ICC/ANSI A117.1
 CSA B651
 OBC

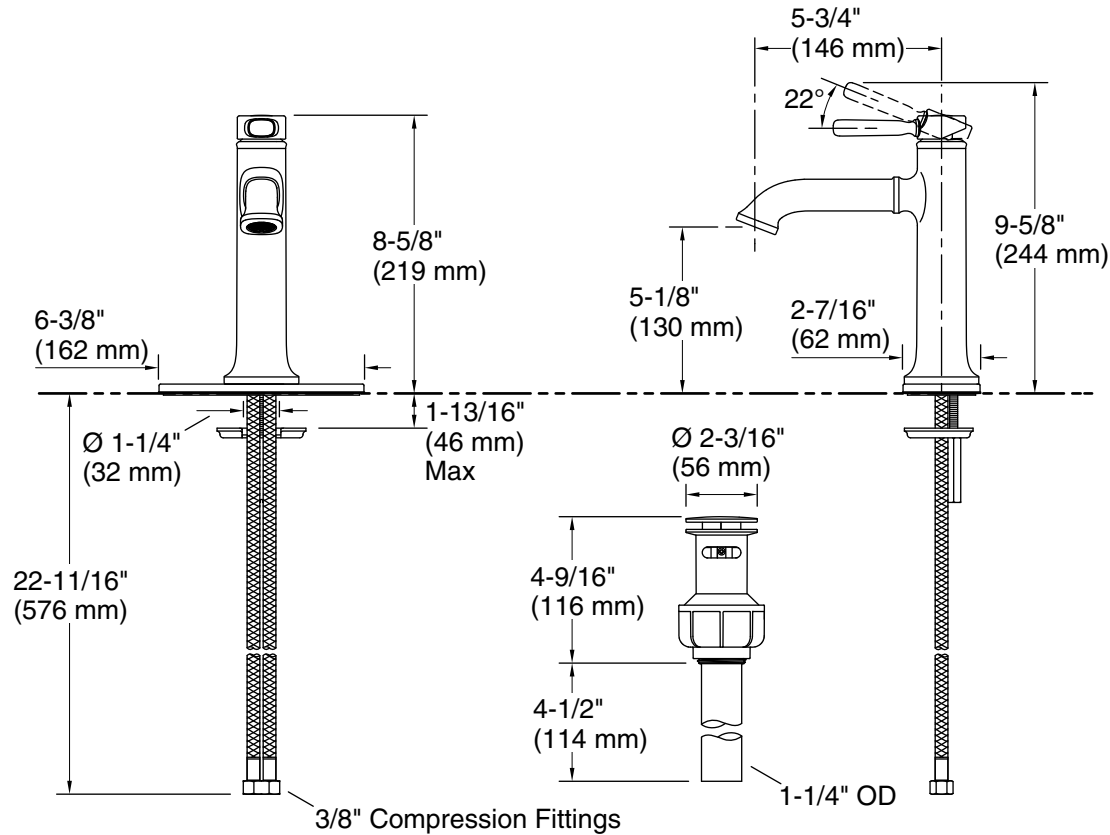
KOHLER® Faucet Lifetime Limited Warranty

See website for detailed warranty information.

Available Colors/Finishes

Color tiles intended for reference only.

Color	Code	Description
	CP	Polished Chrome
	BN	Vibrant® Brushed Nickel
	BL	Matte Black
	2MB	Vibrant® Brushed Moderne Brass



Technical Information

All product dimensions are nominal.
Drain included: Yes

Notes

Install this product according to the installation instructions.
ADA complaint for faucet handles only.
ADA, OBC, CSA B651 compliant when installed to the specific requirements of these regulations.