

## Features

- Fits minimum 36" (914 mm) apron sink base cabinet.
- Single bowl.
- 8" (203 mm) depth.
- Integral apron.
- Strainer sold separately.
- No faucet holes; requires wall- or counter-mount faucet.

## Material

- KOHLER® enameled cast iron.
- Acid-resistant enamel finish.

## Installation

- Undermount.

## Recommended Products/Accessories

- K-6062 Sink Rack
- K-8801 Sink drain and strainer with tailpiece
- K-8799 Sink drain and strainer basket
- K-23726 Drain treatment
- K-23725 Cast iron cleaner

## Optional Products/Accessories

- K-5984 Hardwood cutting board for kitchen sinks
- K-11352 Disposal Flange with Stopper
- K-9000 P-Trap



## Codes/Standards




ASME A112.19.1/CSA B45.2

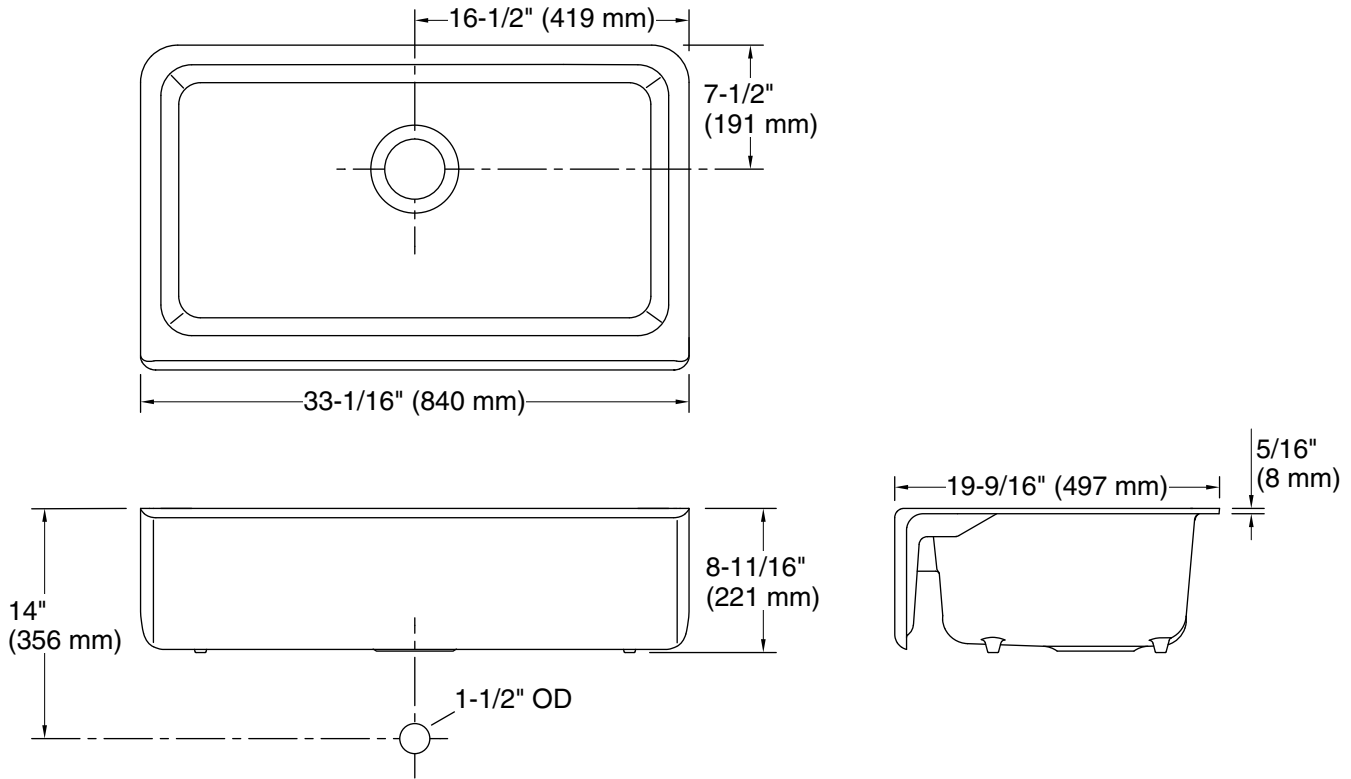
## KOHLER® Enameled Cast Iron Kitchen Sink Lifetime Limited Warranty

See website for detailed warranty information.

## Available Colors/Finishes

*Color tiles intended for reference only.*

Color	Code	Description
	0	White
	96	Biscuit
	7	Black Black™



### Technical Information

All product dimensions are nominal.

Installation:	Undermount
Min. base cabinet width:	36" (914 mm)
Bowl area (Only):	Length: 29-1/2" (749 mm) Width: 15-3/8" (390 mm) Bowl depth: 8-5/8" (220 mm) Water depth: 8" (203 mm)
With overflow:	No
Drain hole:	3-5/8" (92 mm)
Template:	Apron-front, 1463896-7, required, included Cabinet, 1465115-7, required, included

### Notes

Install this product according to the installation instructions.