



**Rista™**  
16-1/4" round vessel bathroom sink, no overflow  
**K-37692**

**Features**

- No faucet holes; requires wall- or counter-mount faucet
- Without overflow
- Cleans easily with a soft sponge or cloth and mild soap. No need for chemicals or abrasives

**Material**

- Vitreous china

**Installation**

- Vessel
- Includes cutout template

**Recommended Products/Accessories**

- K-7129 Drain
- K-7108 Decorative Drain
- K-7107 Decorative Drain



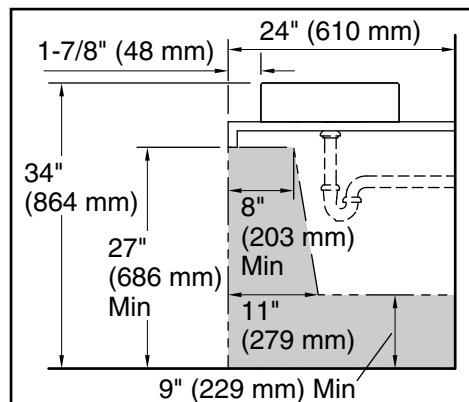
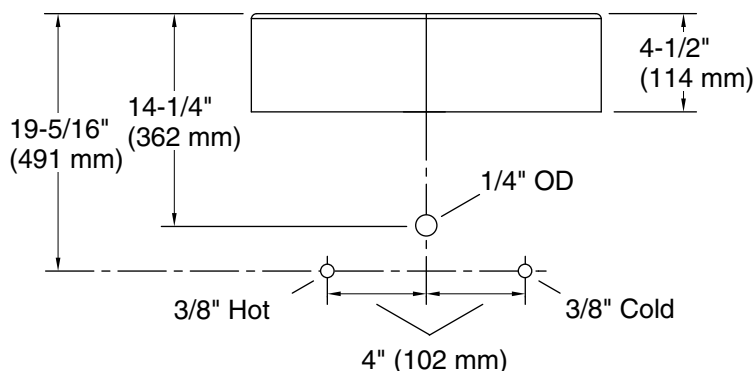
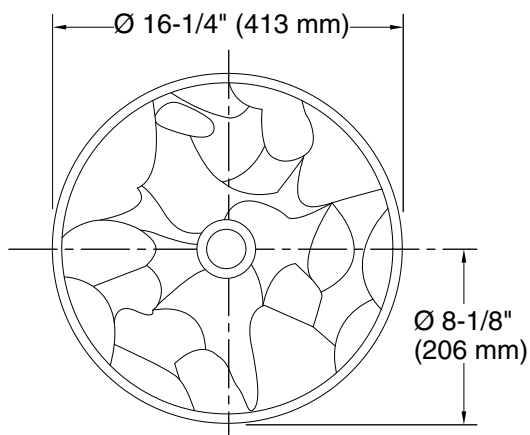
**ADA** **CSA B651** **OBC**

**Codes/Standards**

ASME A112.19.2/CSA B45.1  
ADA  
ICC/ANSI A117.1  
CSA B651  
OBC

**KOHLER® One-Year Limited  
Warranty**

See website for detailed warranty information.



**Recommended ADA Installation**



### Technical Information

All product dimensions are nominal.

|                       |  |
|-----------------------|--|
| Bowl area (Basin #1): | Length: 15-1/4" (387 mm)                     |
|                       | Width: 15-1/4" (387 mm)                      |
|                       | Bowl depth: 3-1/4" (83 mm)                   |
|                       | Water depth: 3-1/4" (83 mm)                  |
| With overflow:        | No   |
| Drain hole:           | 1-3/4" (44 mm)                               |
| Template:             | Above-counter, 1577779-7, required, included |

### Notes

Install this product according to the installation instructions.

**NOTICE:** Countertop manufacturer or cutter must use the cut-out template provided with the product, or a current one provided by Kohler Co. (call 1- 800-4KOHLER). Kohler Co. is not responsible for cutout errors when the incorrect cut-out template is used.

ADA, OBC, CSA B651 compliant when installed to the specific requirements of these regulations.