

Features

- 21-inch minimum base cabinet width.
- 16-gauge stainless steel.
- Under-mount.
- Single bowl.
- 9-inch depth.
- With SilentShield® sound-absorption technology.
- 18" (457 mm) x 18" (457 mm).

Optional Accessories

K-3140 Cutting Board
K-3142 Sink Rack
K-6133 Wine Glass Rack
K-8801 Sink Strainer

Components

Product includes:
91915 Hardware Kit



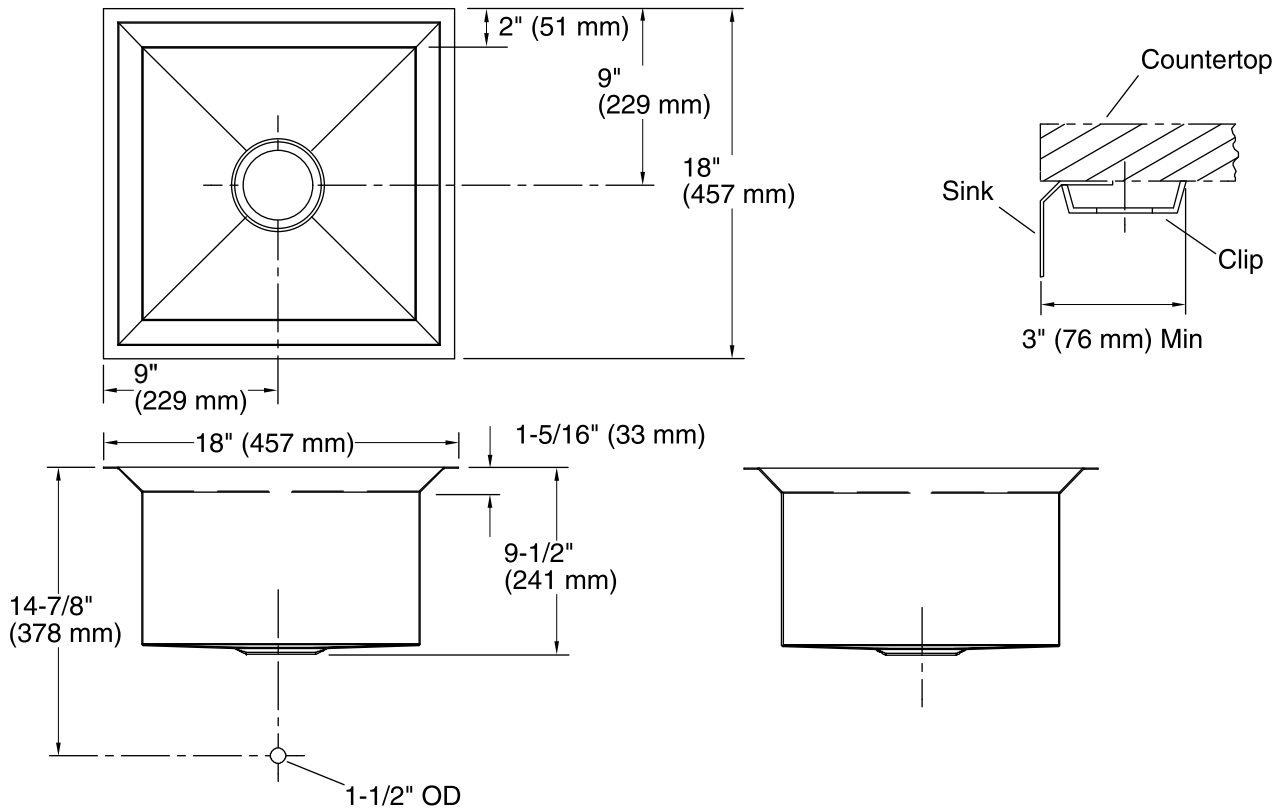
ADA

Codes/Standards

ASME A112.19.3/CSA B45.4
ADA
ICC/ANSI A117.1

Lifetime Limited Warranty for KOHLER® Stainless Steel Sinks

See website for detailed warranty information.



Technical Information

All product dimensions are nominal.

Bowl configuration:	Single
Installation:	Under-mount
Bowl area (Only)	Length: 14" (356 mm) Width: 14" (356 mm) Water depth: 9-3/16" (233 mm)
Drain hole:	3-5/8" (92 mm)
Template:	Under-mount, 1022021-7, required, included

Notes

Install this product according to the installation instructions.

Allow a minimum of 3" (76 mm) clearance around the sink rim for clip attachment.

ADA compliant when installed to the specific requirements of these regulations.