



Stronghold®
Elongated toilet seat
K-29177-C

Features

- Commercial elongated open-front seat without lid
- Ergonomic contour adds additional comfort
- Integrated lift tab on seat edge offers a more hygienic solution for raising and lowering
- Check hinge prevents seat from leaning back against tank or flushometer

Material

- Polypropylene



Codes/Standards

None Applicable

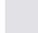
**KOHLER® One-Year Limited
Warranty**

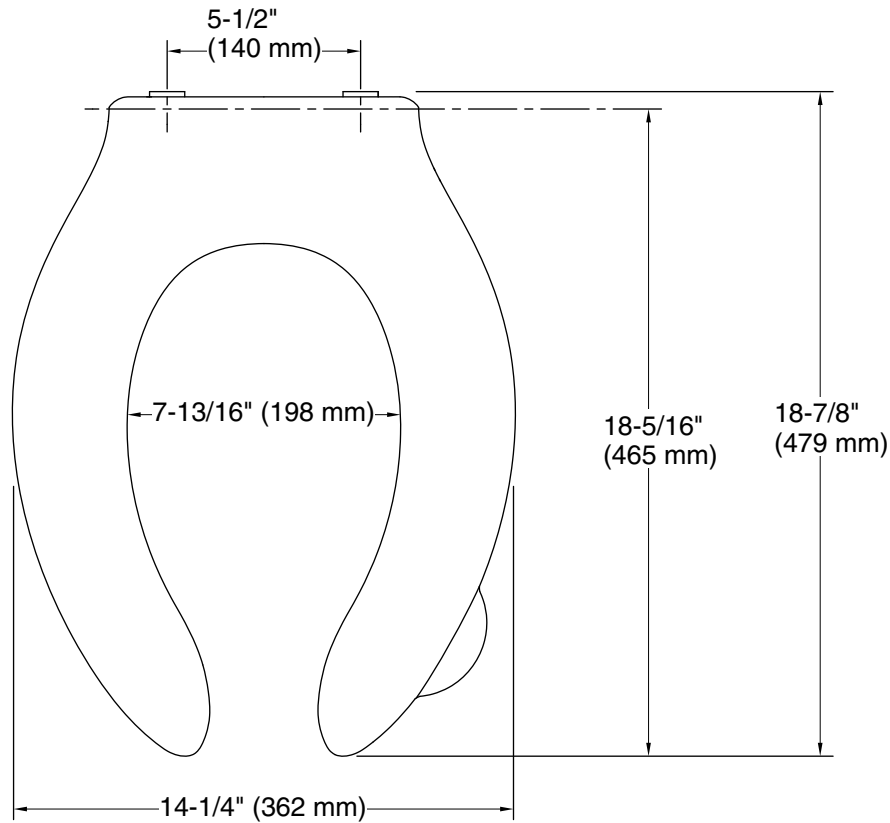
See website for detailed warranty information.

Available Colors/Finishes

Color tiles intended for reference only.

Color Code Description

	0	White
---	---	-------



Technical Information

All product dimensions are nominal.

Seat shape type: Elongated
Seat front type: Open-front
Seat hinge type: Check
Seat-mounting holes: 5-1/2" (140 mm)

Notes

Install this product according to the installation instructions.