

Features

- Single-function rainhead
- Full Coverage with Katalyst technology delivers a drenching spray experience, ideal for rinsing shampoo from hair
- Optimized 8" sprayface with 80 nozzles creates a dense uniform spray pattern for consistent coverage and feeling of warmth
- MasterClean™ sprayface features an easy-to-clean surface that withstands mineral buildup
- 1.75 gpm (6.6 lpm) maximum flow rate at 80 psi (5.5 bar)
- Part of the Occasion bathroom faucet and accessory collection

Material

- Premium material construction for durability and reliability
- KOHLER finishes resist corrosion and tarnishing

Technology

- Katalyst™ air-induction technology infuses water with air, creating bigger drops for a more powerful spray

Installation

- 1/2 -14 NPT connection
- Requires rainhead arm and flange (sold separately)
- Wall- or ceiling-mount

Water Conservation & Rebates

- This product can help a building earn Water Efficiency points in LEED™ Green Building Rating System



Codes/Standards




ASME A112.18.1/CSA B125.1
DOE - Energy Policy Act 1992
EPA WaterSense™
California Energy Commission (CEC)

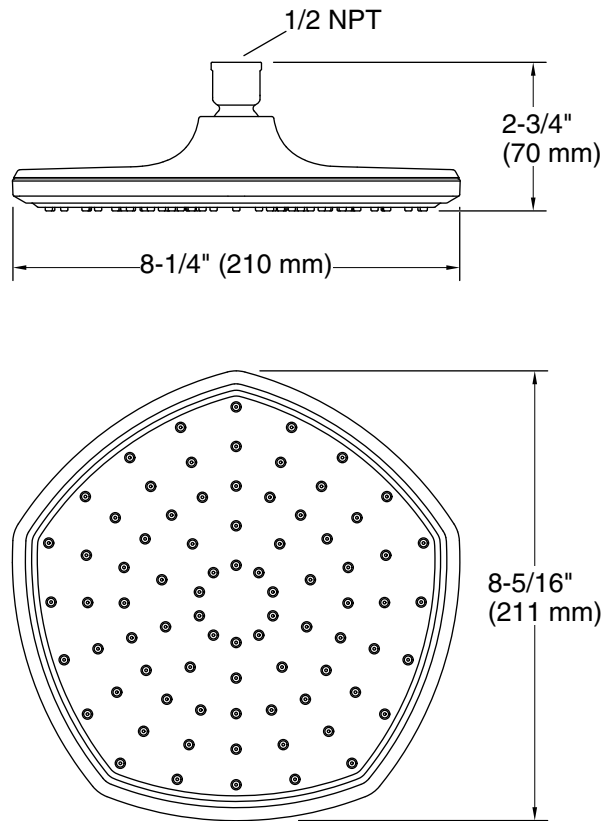
KOHLER® Faucet Lifetime Limited Warranty

See website for detailed warranty information.

Available Colors/Finishes

Color tiles intended for reference only.

Color	Code	Description
	AF	Vibrant™ French Gold
	BV	Vibrant™ Brushed Bronze
	TT	Vibrant™ Titanium



Technical Information

All product dimensions are nominal.

Showerhead/Body Spray:

Rated maximum flow: 1.75 gal/min (6.6 l/min)

flow:

Pressure: 80 psi (5.5 bar)

Notes

For use with automatic compensating valves rated at 1.75 gal/min (6.6 l/min) or less.