

Features

- Freestanding design creates a striking focal point in your bathing area
- 18" (457 mm) depth offers a deep soaking experience
- Integral lumbar support
- Slotted overflow allows for deep soaking
- Center toe-tap drain color-matched to the bath

Material

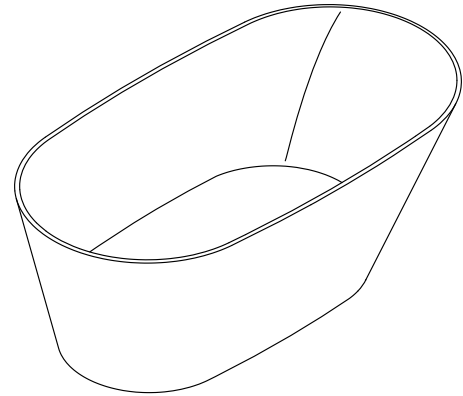
- KOHLER Lithocast®

Installation

- Freestanding

Included Components

Additional Components:
1381626-0

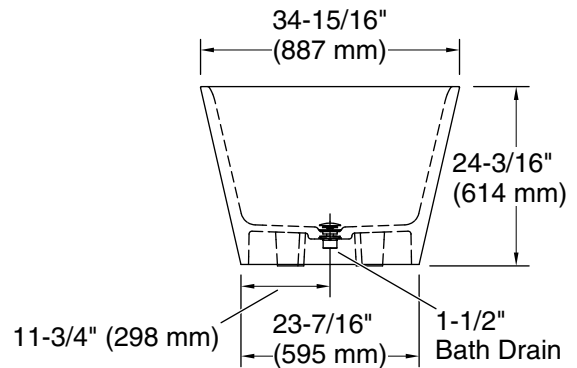
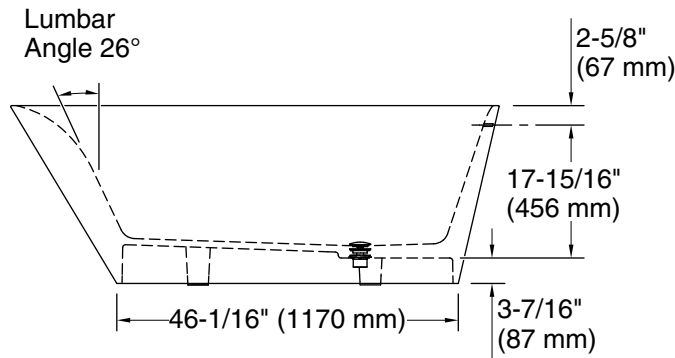
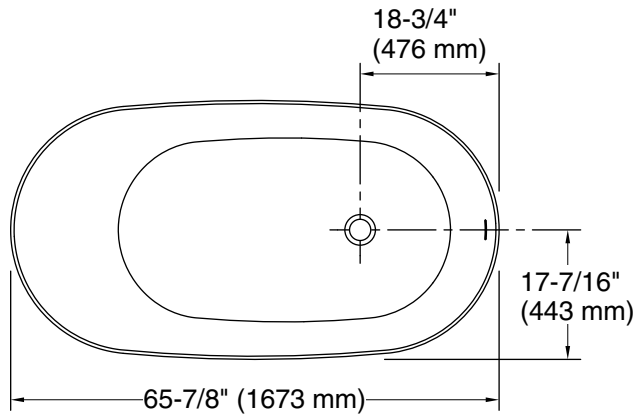


Codes/Standards

CSA B45.5/IAPMO Z124
ASTM E162
ASTM E662

KOHLER® Plastic Baths and Shower Bases Lifetime Limited Warranty

See website for detailed warranty information.



Technical Information

All product dimensions are nominal.

Installation:	Freestanding
Drain location:	Center rear
Weight:	312.4 lbs (141.7 kg)
Water depth:	18" (457 mm)
Water capacity:	82.22 gal (311.2 L)

Notes

Measure your actual product for rough-in details.

Install this product according to the installation instructions.

The hot water supply should be 70% of the capacity of the bath or greater. Installations will vary.