



**Sunward®**  
60" x 42" drop-in bath  
**K-1163-S1**

**Features**

- Oval basin creates a spacious bathing experience
- Integral lumbar support and armrests offer extra comfort while bathing
- Textured bottom surface

**Material**

- Acrylic

**Installation**

- Reversible drain
- Drop-in

**Recommended Products/Accessories**

- K-576 Undermount installation kit for K-1162/K-1163 baths
- K-1491 Bath/Whirlpool Pillow
- K-1601 Bath/whirlpool footstop, removable
- K-11677 Bath Drain
- K-23726 Drain treatment
- K-23732 Tub & shower cleaner
- K-31796 Above-the-floor bath drain kit
- K-31798 Bath drain kit



**Codes/Standards**

CSA B45.5/IAPMO Z124

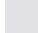
**KOHLER® Plastic Baths and Receptors Lifetime Limited Warranty**

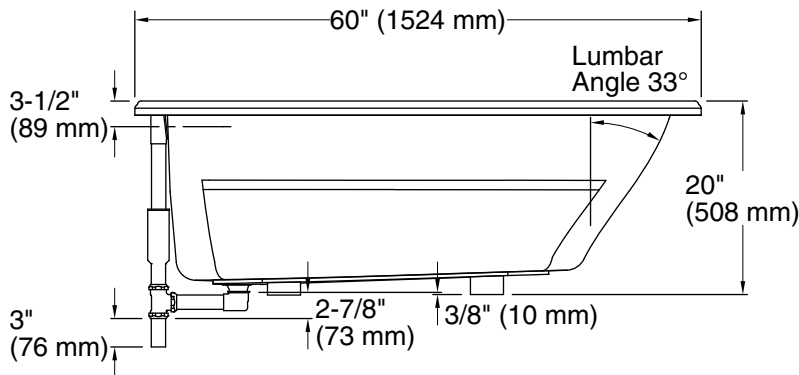
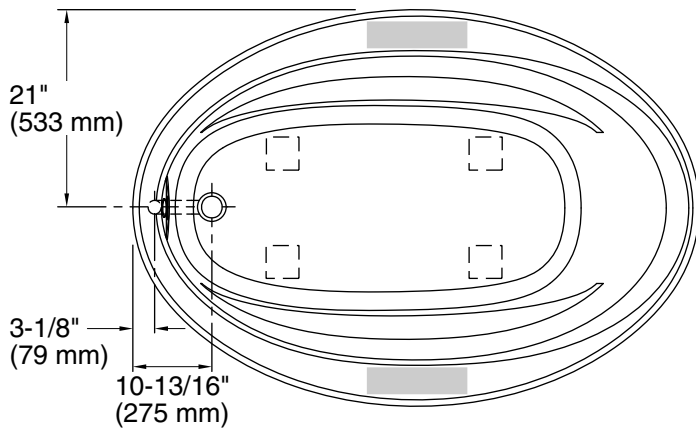
See website for detailed warranty information.

**Available Colors/Finishes**

*Color tiles intended for reference only.*

**Color Code Description**

	0	White
---	---	-------



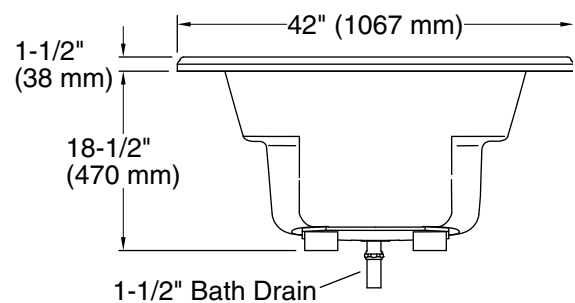
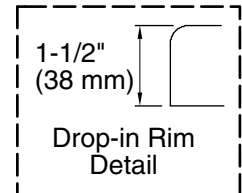
### Technical Information

All product dimensions are nominal.

Drain location:	Reversible
Basin area, bottom:	43" x 21-9/16" (1092 mm x 548 mm)
Basin area, top:	53-1/2" x 32-1/8" (1359 mm x 816 mm)
Weight:	75 lbs (34 kg)
Minimum floor load:	33 lbs/ft <sup>2</sup> (161.1 kg/m <sup>2</sup> )
Water depth:	15" (381 mm)
Water capacity:	57 gal (215.8 L)
Template:	Drop-in, 1042556-7, required, included

No change in measurements if connected with drain illustrated. (K-11677)

 Recommended faucet area



### Notes

Measure your actual product for rough-in details.

Install this product according to the installation instructions.

The hot water supply should be 70% of the capacity of the bath or greater. Installations will vary.

Kit is required for under-mount installations (sold separately).