

Features

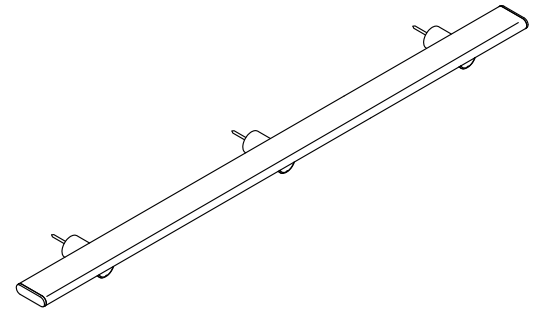
- Provides a stable point of contact in the shower.
- 300lbs of support with a beautiful aesthetic.

Installation

- Mounting brackets slide along length of bar to ease installation.

Components

Additional included component/s: Bracket, Screws, End caps, and Plugs.



Codes/Standards





ASTM F446

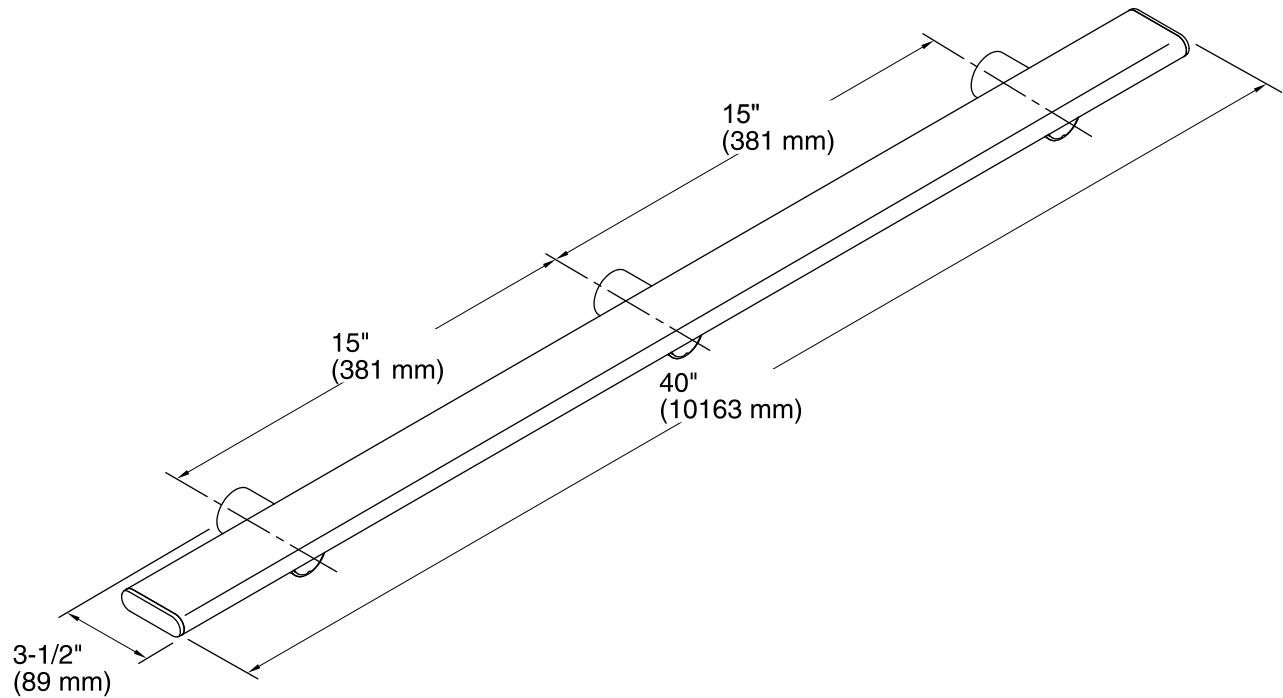
KOHLER® Limited Warranty – Choreograph™ Walls and Accessories

See website for detailed warranty information.

Available Color/Finishes

Color tiles intended for reference only.

Color	Code	Description
	SHP	Bright Polished Silver
	ABZ	Anodized Dark Bronze
	BBR	Anodized Brushed Bronze
	BNK	Anodized Brushed Nickel



Technical Information

All product dimensions are nominal.

Notes

Install this product according to the installation guide.

Requires 2x4 backing to be installed.