

**BATH FAUCET TRIM
K-T12885-4**

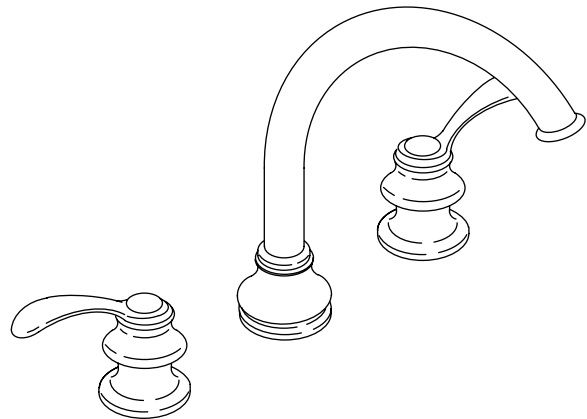
Features

- Brass construction
- Bath- or deck-mount
- Lever handles
- 8-7/8" (22.5 cm) high-arch non-diverter spout with slip-fit connection

Codes/Standards Applicable

Specified model meets or exceeds the following:

- ASME A112.18.1/CSA B125.1
- IAPMO/UPC



Colors/Finishes

- CP: Polished Chrome
- PB: Vibrant® Polished Brass
- Other: Refer to Price Book for additional colors/finishes

Accessories

- Other: Refer to Price Book for additional colors/finishes
- NA: None applicable

Specified Model

Model	Description	Colors/Finishes		
K-T12885-4	Bath faucet Trim	<input type="checkbox"/> CP	<input type="checkbox"/> PB	<input type="checkbox"/> Other _____
Required Accessories				
K-300-K	1/2" high-flow ceramic disc valve system	<input type="checkbox"/> NA		
Optional Accessories				
K-12003	Plug button set	<input type="checkbox"/> Other _____		
73444	Deep roughing-in kit for high-flow deck-mount bath faucets (all handles)	<input type="checkbox"/> NA		

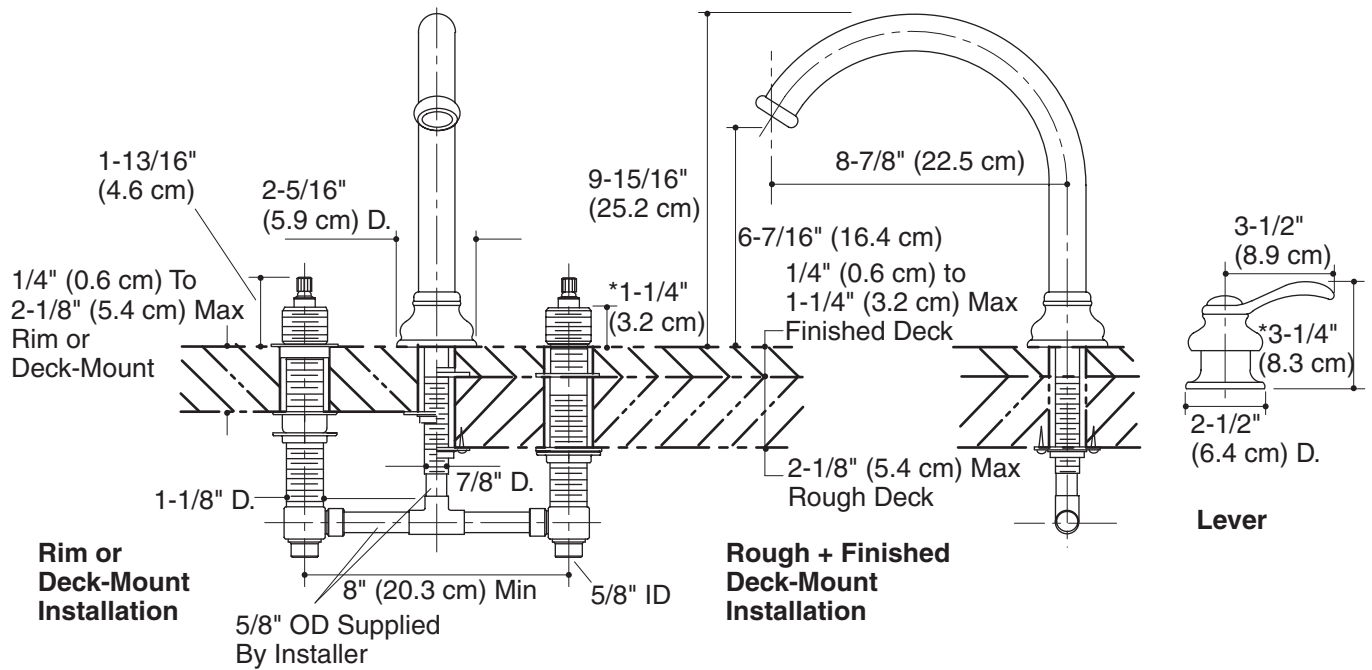
Product Specification

Two-handle bath- or deck-mount high-flow bath faucet trim shall be of brass construction. Product shall include 8-7/8" (22.5 cm) high-arch non-diverter spout with slip-fit connection, and lever handles. Bath faucet trim shall be Kohler Model K-T12885-4-_____ and valve system shall be Kohler Model K-300-K-NA.

FAIRFAX®

Installation Notes

Install this product according to the installation guide.



*Dimension allows $\pm 1/4"$ (6mm) handle adjustment during handle trim installation.

Product Diagram