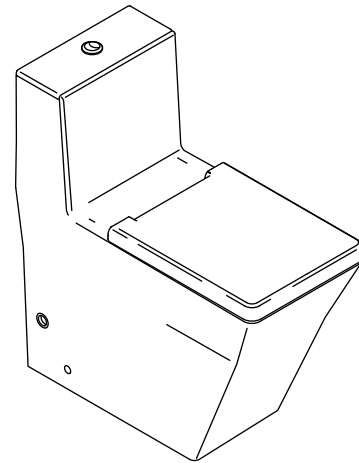


Features

- Vitreous china
- One-piece
- Elongated bowl
- Dual flush system
- Less supply
- 2-1/8" (54 mm) glazed trapway
- Includes seat and cover
- Required minimum 12" (305 mm) rough-in
- Skirted bowl design
- High efficiency 1.6 gpf (6.0 lpf) or 0.8 gpf (3.0 lpf)
- Includes polished chrome top-mount flush actuator
- 26-3/4" (679 mm) x 14-1/2" (368 mm) x 28" (711 mm)

COMFORT HEIGHT® DUAL FLUSH TOILET K-3797



Codes/Standards Applicable

Specified model meets or exceeds the following:

- ASME A112.19.2/CSA B45.1
- ASME A112.19.14
- EPA WaterSense®

Colors/Finishes

- 0: White
- Other: Refer to Price Book for additional colors/finishes

Accessories

- G: Brushed Chrome
- CP: Polished Chrome
- Other: Refer to Price Book for additional colors/finishes

Specified Model

Model	Description	Colors/Finishes	
K-3797	Comfort Height dual flush toilet	<input type="checkbox"/> 0	<input type="checkbox"/> Other_____
Recommended Accessories			
K-7637	Angle supply with stop – 3/8" NPT	<input type="checkbox"/> CP	<input type="checkbox"/> Other_____
K-9384	Dual flush actuator (non-CP finish)		<input type="checkbox"/> G

Product Specification

The elongated bowl toilet shall be made of vitreous china. Toilet shall be one-piece. Toilet shall be 26-3/4" (679 mm) in length, 14-1/2" (368 mm) in width, and 28" (711 mm) in height. Toilet shall have a required minimum 12" (305 mm) rough-in. Toilet shall have a dual flush flushing system. Toilet shall be 1.6 gpf (6.0 lpf) or 0.8 gpf (3.0 lpf). Toilet shall feature a skirted bowl design and 2-1/8" (54 mm) glazed trapway. Toilet shall include a polished chrome top-mount flush actuator, and a seat and cover. Toilet shall be less supply. Elongated bowl toilet shall be Kohler Model K-3797-_____.

Technical Information

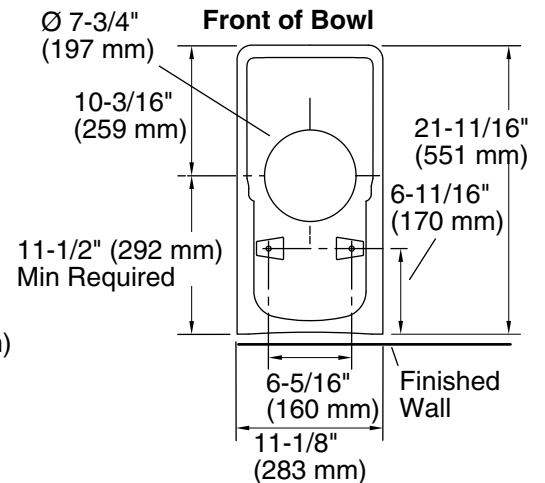
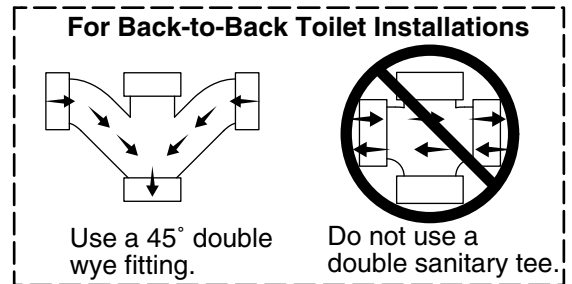
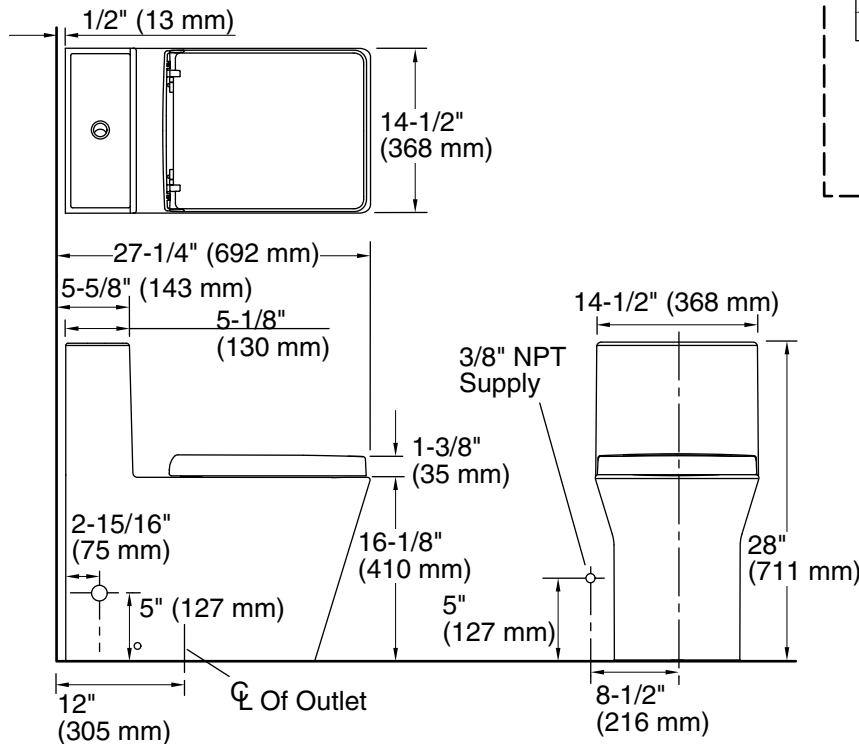
Fixture:	
Configuration	one-piece, elongated
Water per full flush	1.6 gpf (6.0 lpf)
Water per half flush	0.8 gpf (3.0 lpf)
Passageway	2-1/8" (54 mm)
Water area	4-1/8" (105 mm) x 5-1/2" (140 mm)
Seat post hole centers	7-7/8" (200 mm)

Included components:	
Seat	K-4777
Tank cover	1109379
Dual flush push button	1072961-CP

Installation Notes

Install this product according to the installation guide.

For back-to-back toilet installations: Use only a 45° double wye fitting.



Product Diagram