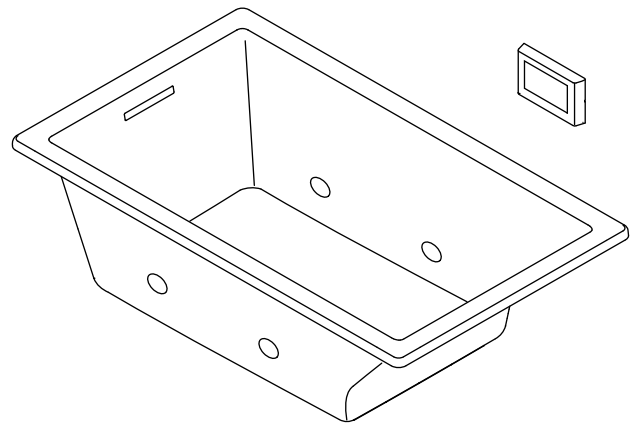


Features

- Acrylic
- VibrAcoustic technology emits sound waves and offers a surround sound experience
- Bask heated surface with three temperature settings
- Six transducers and a control amplifier with 25' (7.6 m) of wiring
- User-friendly high-resolution color touch screen (in polished chrome)
- Slotted overflow for maximum bathing depth
- Molded lumbar support for comfort
- Available with four chromatherapy lights [-VBCW]
- Drop-in or under-mount installation
- 60" (1524 mm) x 36" (914 mm) x 21" (533 mm)

5' VIBRACOUSTIC® BATH WITH BASK™ HEATED SURFACE K-1849-VBW ALSO K-1849-VBCW



Codes/Standards Applicable

Specified model meets or exceeds the following:

- CSA B45.5/IAPMO Z124
- CAN/CSA C22.2 No. 218.2
- UL 1795

Colors/Finishes

- 0: White
- CP: Polished Chrome
- BN: Brushed Nickel
- NA: None applicable
- Other: Refer to Price Book for additional colors/finishes

Specified Model

Model	Description	Colors/Finishes	
K-1849-VBW	5' VibrAcoustic bath with Bask	<input type="checkbox"/> 0	<input type="checkbox"/> Other _____
K-1849-VBCW	5' VibrAcoustic bath with Bask and chromatherapy (shown)	<input type="checkbox"/> 0	<input type="checkbox"/> Other _____
Required Accessories			
K-7271	Clearflo slotted overflow brass bath drain OR	<input type="checkbox"/> CP	<input type="checkbox"/> Other _____
K-7272	Clearflo slotted overflow bath drain – PVC pipe	<input type="checkbox"/> CP	<input type="checkbox"/> Other _____
Optional Accessories			
K-1491	Pillow	<input type="checkbox"/> 0	<input type="checkbox"/> Other _____
K-1601	Footstop	<input type="checkbox"/> 0	<input type="checkbox"/> Other _____
K-534	Under-mount kit		<input type="checkbox"/> NA
1172315	VibrAcoustic interface mounting plate (non-CP finish)		<input type="checkbox"/> BN

Product Specification

The acrylic VibrAcoustic bath shall be 60" (1524 mm) in length, 36" (914 mm) in width, and 21" (533 mm) in height. Bath shall feature VibrAcoustic technology, which emits sound waves and offers a surround sound experience. Bath shall feature Bask heated surface with three temperature settings. Bath shall feature six transducers and a control amplifier with 25' (7.6 m) of wiring. Bath shall feature a user-friendly high-resolution color touch screen (in polished chrome). Bath shall feature slotted overflow for maximum bathing depth. Bath shall feature molded lumbar support for comfort. Bath shall be available with four chromatherapy lights [-VBCW]. Bath shall be for drop-in or under-mount installation. Bath shall be Kohler Model K-1849-_____-_____.

UNDERScore®

Technical Information

Fixture*:				
Bathing well:				
Basin area, bottom	39-9/16" (1005 mm) x 24-11/16" (627 mm)			
Basin area, top	53-5/8" (1362 mm) x 29-1/2" (749 mm)			
Weight	85 lbs (38.6 kg)			
To overflow:				
Water depth	17-1/8" (435 mm)			
Capacity	81.1 gal (307 L)			
* Approximate measurements for comparison only.				
Drop-in cutout		59-1/2" (1511 mm) x 35-1/2" (902 mm)		
Amplifier/control	15 W (per channel)	120 V	50/60 Hz	-
Heater	65 W	120 V	60 Hz	1.1 A

Required Electrical Service

Dedicated circuit required, protected with Class A Ground-Fault Circuit-Interrupter (GFCI) or Residual Current Device (RCD):

Amplifier/control/heater	120 V, 15 A, 50/60 Hz
--------------------------	-----------------------

Installation Notes

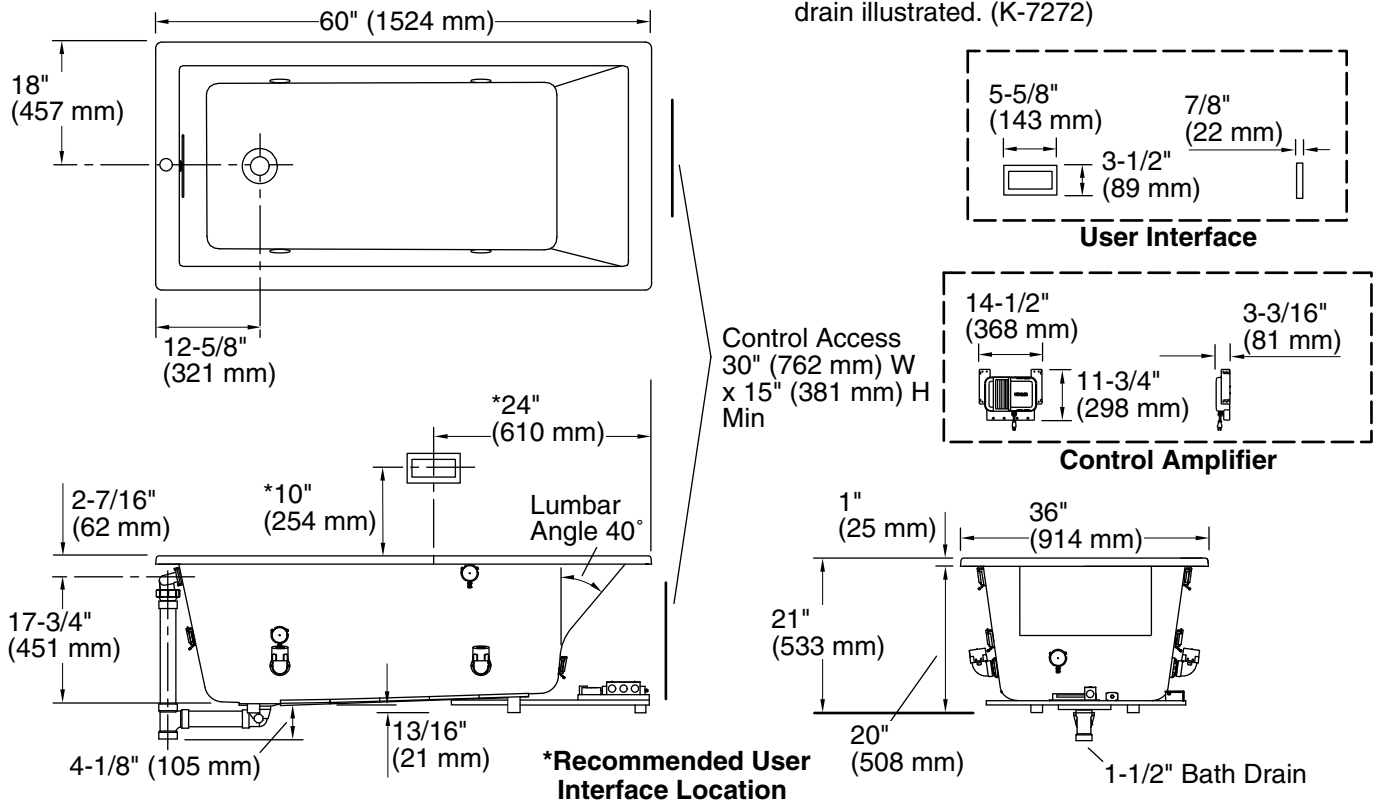
Install this product according to the installation guide. Ensure that the bath, user interface, amplifier, and transducers are functional before completing the installation.

Control amplifier fits 16" (406 mm) center studs. 25' (7.6 m) cables are included.

Locate the bath within 24" (610 mm) of a GFCI-protected 120 V, 15 A grounded electrical outlet. A second grounded outlet within the wall framing must be within 24" (610 mm) of the planned control amplifier. One electrical service may be used for the entire bath and related electrical components.

Hot water supply should be 70% of capacity or greater. Installations will vary.

Floor support under bath must provide for a minimum of 52.1 lbs/square foot (254.5 kg/square meter) loading.



Product Diagram