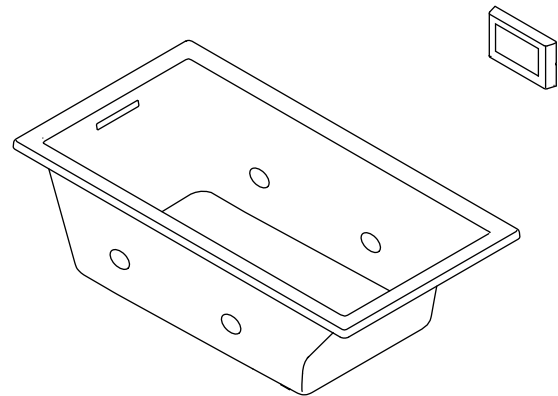


Features

- Acrylic
- VibrAcoustic technology emits sound waves and offers a surround sound experience
- Bask heated surface with three temperature settings
- Six transducers and a control amplifier with 25' (7.6 m) of wiring
- User-friendly high-resolution color touch screen (in polished chrome)
- Slotted overflow for maximum bathing depth
- Molded lumbar support for comfort
- Available with four chromatherapy lights [-VBCW]
- Drop-in or under-mount installation
- 66" (1676 mm) x 36" (914 mm) x 22" (559 mm)

5.5' VIBRACOUSTIC® BATH WITH BASK™ HEATED SURFACE K-1173-VBW ALSO K-1173-VBCW



Codes/Standards Applicable

Specified model meets or exceeds the following:

- CSA B45.5/IAPMO Z124
- UL 1795
- CAN/CSA C22.2 No. 218.2

Colors/Finishes

- 0: White
- CP: Polished Chrome
- BN: Brushed Nickel
- Other: Refer to Price Book for additional colors/finishes

Specified Model

Model	Description	Colors/Finishes	
K-1173-VBW	5.5' VibrAcoustic bath with Bask	<input type="checkbox"/> 0	<input type="checkbox"/> Other_____
K-1173-VBCW	5.5' VibrAcoustic bath with Bask and chromatherapy (shown)	<input type="checkbox"/> 0	<input type="checkbox"/> Other_____
Required Accessories			
K-7271	Clearflo slotted overflow brass bath drain OR	<input type="checkbox"/> CP	<input type="checkbox"/> Other_____
K-7272	Clearflo slotted overflow bath drain – PVC pipe	<input type="checkbox"/> CP	<input type="checkbox"/> Other_____
Optional Accessories			
K-1491	Pillow	<input type="checkbox"/> 0	<input type="checkbox"/> Other_____
K-1601	Footstop	<input type="checkbox"/> 0	<input type="checkbox"/> Other_____
K-591	Under-mount kit		<input type="checkbox"/> NA
1172315	VibrAcoustic interface mounting plate (non-CP finish)		<input type="checkbox"/> BN

Product Specification

The acrylic VibrAcoustic bath shall be 66" (1676 mm) in length, 36" (914 mm) in width, and 22" (559 mm) in height. Bath shall feature VibrAcoustic technology, which emits sound waves and offers a surround sound experience. Bath shall feature Bask heated surface with three temperature settings. Bath shall feature six transducers and a control amplifier with 25' (7.6 m) of wiring. Bath shall feature a user-friendly high-resolution color touch screen (in polished chrome). Bath shall feature slotted overflow for maximum bathing depth. Bath shall feature molded lumbar support for comfort. Bath shall be available with four chromatherapy lights [-VBCW]. Bath shall be for drop-in or under-mount installation. Bath shall be Kohler Model K-1173-_____-_____.

UNDERScore®

Technical Information

Fixture*:				
Bathing well:				
Basin area, bottom	44-1/2" (1130 mm) x 26-1/2" (673 mm)			
Basin area, top	60-1/4" (1530 mm) x 30-1/4" (768 mm)			
Weight	90 lbs (40.8 kg)			
To overflow:				
Water depth	17-3/4" (451 mm)			
Capacity	102 gal (386 L)			
* Approximate measurements for comparison only.				
Drop-in cut-out		65" (1651 mm) x 35" (889 mm)		
Amplifier/control	15 W (per channel)	120 V	50/60 Hz	-
Heater	65 W	120 V	60 Hz	1.1 A

Required Electrical Service

Dedicated circuit required, protected with Class A Ground-Fault Circuit-Interrupter (GFCI) or Residual Current Device (RCD):

Amplifier/control/heater	120 V, 15 A, 50/60 Hz
--------------------------	-----------------------

Installation Notes

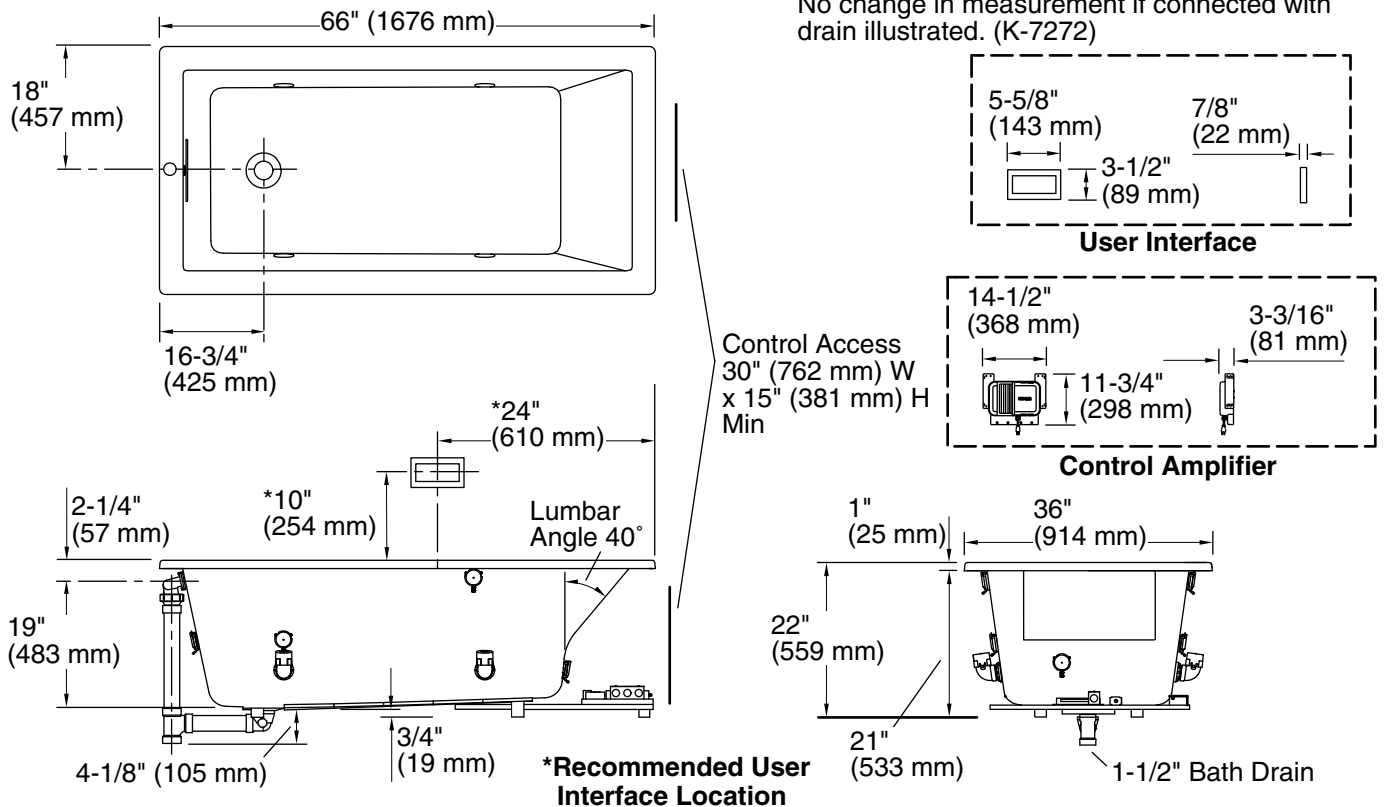
Install this product according to the installation guide. Ensure that the bath, user interface, amplifier, and transducers are functional before completing the installation.

Control amplifier fits 16" (406 mm) center studs. 25' (7.6 m) cables are included.

Locate the bath within 24" (610 mm) of a GFCI-protected 120 V, 15 A grounded electrical outlet. A second grounded outlet within the wall framing must be within 24" (610 mm) of the planned control amplifier. One electrical service may be used for the entire bath and related electrical components.

Floor support under bath must provide for a minimum of 64 lbs/square foot (313 kg/square meter) loading.

Hot water supply should be 70% of capacity or greater. Installations will vary.



Product Diagram