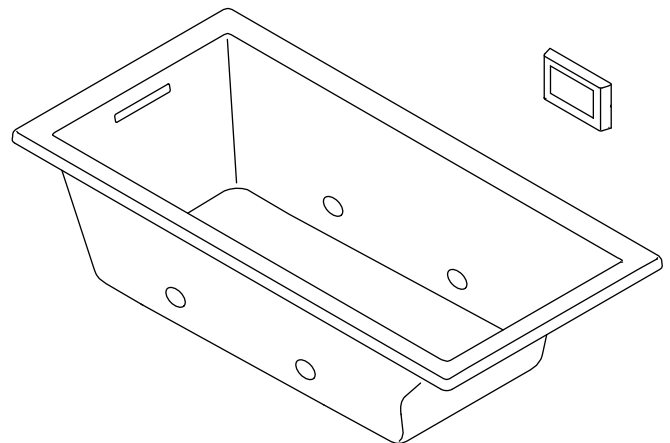


Features

- Acrylic
- VibrAcoustic technology emits sound waves and offers a surround sound experience
- Bask heated surface with three temperature settings
- Six transducers and a control amplifier with 25' (7.6 m) of wiring
- User-friendly high-resolution color touch screen (in polished chrome)
- Slotted overflow for maximum bathing depth
- Molded lumbar support for comfort
- Available with four chromatherapy lights [-VBCW]
- Drop-in or under-mount installation
- 60" (1524 mm) x 30" (762 mm) x 19" (483 mm)

5' VIBRACOUSTIC® BATH WITH BASK™ HEATED SURFACE K-1167-VBW ALSO K-1167-VBCW



Codes/Standards Applicable

Specified model meets or exceeds the following:

- CSA B45.5/IAPMO Z124
- UL 1795
- CAN/CSA C22.2 No. 218.2

Colors/Finishes

- 0: White
- CP: Polished Chrome
- BN: Brushed Nickel
- NA: None applicable
- Other: Refer to Price Book for additional colors/finishes

Specified Model

| Model | Description | Colors/Finishes | |
|-----------------------------|--|-----------------------------|--------------------------------------|
| K-1167-VBW | 5' VibrAcoustic bath with Bask | <input type="checkbox"/> 0 | <input type="checkbox"/> Other _____ |
| K-1167-VBCW | 5' VibrAcoustic bath with Bask and chromatherapy (shown) | <input type="checkbox"/> 0 | <input type="checkbox"/> Other _____ |
| Required Accessories | | | |
| K-7271 | Clearflo slotted overflow brass bath drain OR | <input type="checkbox"/> CP | <input type="checkbox"/> Other _____ |
| K-7272 | Clearflo slotted overflow bath drain – PVC pipe | <input type="checkbox"/> CP | <input type="checkbox"/> Other _____ |
| Optional Accessories | | | |
| K-1491 | Pillow | <input type="checkbox"/> 0 | <input type="checkbox"/> Other _____ |
| K-1601 | Footstop | <input type="checkbox"/> 0 | <input type="checkbox"/> Other _____ |
| K-531 | Under-mount kit | <input type="checkbox"/> NA | |
| 1172315 | VibrAcoustic interface mounting plate (non-CP finish) | <input type="checkbox"/> BN | |

Product Specification

The acrylic VibrAcoustic bath shall be 60" (1524 mm) in length, 30" (762 mm) in width, and 19" (483 mm) in height. Bath shall feature VibrAcoustic technology, which emits sound waves and offers a surround sound experience. Bath shall feature Bask heated surface with three temperature settings. Bath shall feature six transducers and a control amplifier with 25' (7.6 m) of wiring. Bath shall feature a user-friendly high-resolution color touch screen (in polished chrome). Bath shall feature slotted overflow for maximum bathing depth. Bath shall feature molded lumbar support for comfort. Bath shall be available with four chromatherapy lights [-VBCW]. Bath shall be for drop-in or under-mount installation. Bath shall be Kohler Model K-1167-_____-_____.

UNDERScore®

Technical Information

| | | | | |
|---|---------------------------------------|-------|----------|-------|
| Fixture*: | | | | |
| Bathing well: | | | | |
| Basin area, bottom | 42-3/8" (1076 mm) x 20" (508 mm) | | | |
| Basin area, top | 54-3/8" (1381 mm) x 24-5/16" (618 mm) | | | |
| Weight | 80 lbs (36.3 kg) | | | |
| To overflow: | | | | |
| Water depth | 15-1/16" (383 mm) | | | |
| Capacity | 59.8 gal (226 L) | | | |
| * Approximate measurements for comparison only. | | | | |
| Drop-in cutout | | | | |
| 59-1/2" (1511 mm) x 28-1/2" (724 mm) | | | | |
| Amplifier/control | 15 W (per channel) | 120 V | 50/60 Hz | - |
| Heater | 65 W | 120 V | 60 Hz | 1.1 A |

Required Electrical Service

Dedicated circuit required, protected with Class A Ground-Fault Circuit-Interrupter (GFCI) or Residual Current Device (RCD):

| | |
|--------------------------|-----------------------|
| Amplifier/control/heater | 120 V, 15 A, 50/60 Hz |
|--------------------------|-----------------------|

Installation Notes

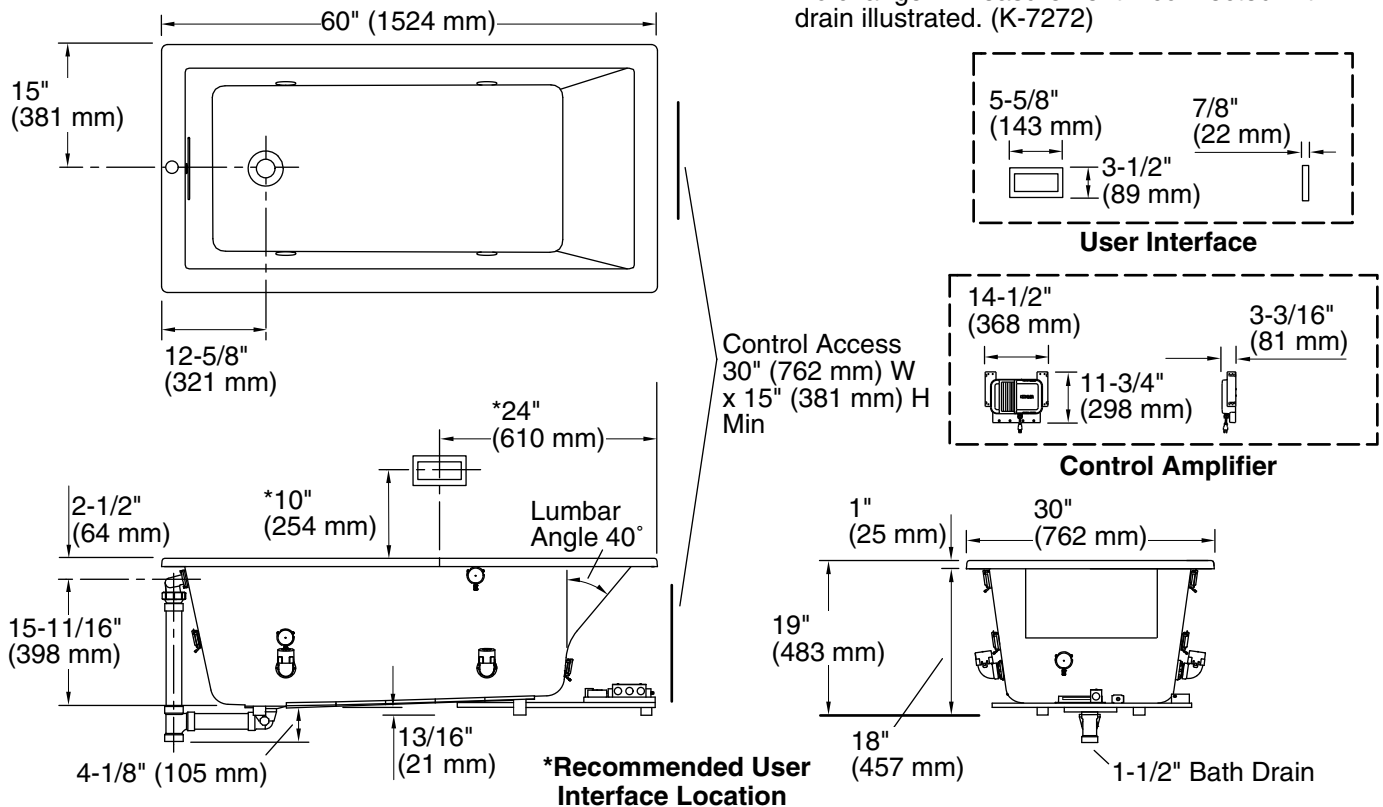
Install this product according to the installation guide. Ensure that the bath, user interface, amplifier, and transducers are functional before completing the installation.

Control amplifier fits 16" (406 mm) center studs. 25' (7.6 m) cables are included.

Locate the bath within 24" (610 mm) of a GFCI-protected 120 V, 15 A grounded electrical outlet. A second grounded outlet within the wall framing must be within 24" (610 mm) of the planned control amplifier. One electrical service may be used for the entire bath and related electrical components.

Hot water supply should be 70% of capacity or greater. Installations will vary.

Floor support under bath must provide for a minimum of 50 lbs/square foot (242 kg/square meter) loading.



Product Diagram