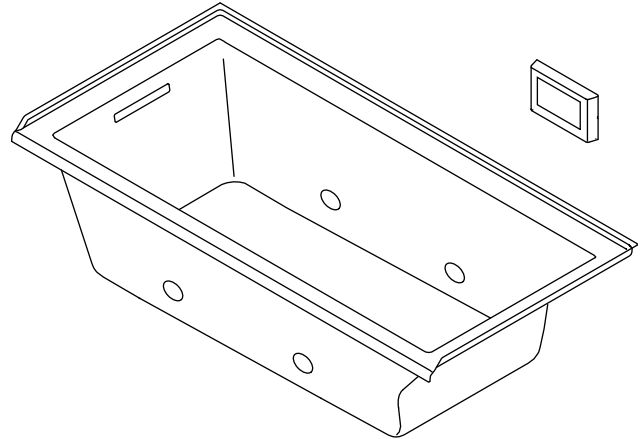


### Features

- Acrylic
- VibrAcoustic technology emits sound waves and offers a surround sound experience
- Bask heated surface with three temperature settings
- Six transducers and a control amplifier with 25' (7.6 m) of wiring
- User-friendly high-resolution color touch screen (in polished chrome)
- Slotted overflow for maximum bathing depth
- Molded lumbar support for comfort
- Available with four chromatherapy lights [-VCLW, -VCRW]
- Integral three-sided tiling flange for alcove installation
- 60" (1524 mm) x 30" (762 mm) x 19" (483 mm)

### 5' VIBRACOUSTIC® BATH WITH BASK™ HEATED SURFACE K-1167-VBLW ALSO K-1167-VCLW, K-1167-VBRW, K-1167-VCRW



### Codes/Standards Applicable

Specified model meets or exceeds the following:

- CSA B45.5/IAPMO Z124
- UL 1795
- CAN/CSA C22.2 No. 218.2

### Colors/Finishes

- 0: White
- Other: Refer to Price Book for additional colors/finishes
- CP: Polished Chrome
- BN: Brushed Nickel

### Specified Model

Model	Description	Colors/Finishes	
K-1167-VBLW	5' VibrAcoustic bath with Bask – less chromatherapy, left drain	<input type="checkbox"/> 0	<input type="checkbox"/> Other _____
K-1167-VCLW	5' VibrAcoustic bath with Bask – with chromatherapy, left drain (shown)	<input type="checkbox"/> 0	<input type="checkbox"/> Other _____
K-1167-VBRW	5' VibrAcoustic bath with Bask – less chromatherapy, right drain	<input type="checkbox"/> 0	<input type="checkbox"/> Other _____
K-1167-VCRW	5' VibrAcoustic bath with Bask – with chromatherapy, right drain	<input type="checkbox"/> 0	<input type="checkbox"/> Other _____
<b>Required Accessories</b>			
K-7271	Clearflo slotted overflow brass bath drain <b>OR</b>	<input type="checkbox"/> CP	<input type="checkbox"/> Other _____
K-7272	Clearflo slotted overflow bath drain – PVC pipe	<input type="checkbox"/> CP	<input type="checkbox"/> Other _____
<b>Optional Accessories</b>			
1172315	VibrAcoustic interface mounting plate (non-CP finish)	<input type="checkbox"/> BN	

### Product Specification

The acrylic VibrAcoustic bath shall be 60" (1524 mm) in length, 30" (762 mm) in width, and 19" (483 mm) in height. Bath shall feature VibrAcoustic technology, which emits sound waves and offers a surround sound experience. Bath shall feature Bask heated surface with three temperature settings. Bath shall feature six transducers and a control amplifier with 25' (7.6 m) of wiring. Bath shall feature a user-friendly high-resolution color touch screen (in polished chrome). Bath shall feature slotted overflow for maximum bathing depth. Bath shall feature molded lumbar support for comfort. Bath shall be available with four chromatherapy lights [-VCLW, -VCRW]. Bath shall be for three-wall alcove installation. Bath shall be Kohler Model K-1167-\_\_\_\_\_-\_\_\_\_\_.

# UNDERScore®

## Technical Information

Fixture: Approx. measurements for comparison only.				
Basin area, bottom	42-7/16" (1078 mm) x 20" (508 mm)			
Basin area, top	54-5/16" (1380 mm) x 24-1/4" (616 mm)			
Weight	85 lbs (38.6 kg)			
Water depth	15-1/8" (384 mm) to overflow			
Capacity	59.8 gal (226 L) to overflow			
Amplifier/control	15 W (per channel)	120 V	50/60 Hz	-
Heater	65 W	120 V	60 Hz	1.1 A

**Required Electrical Service:** Dedicated circuit required, protected with Class A Ground-Fault Circuit-Interrupter (GFCI) or Residual Current Device (RCD):

Amplifier/control/heater	120 V, 15 A, 50/60 Hz
--------------------------	-----------------------

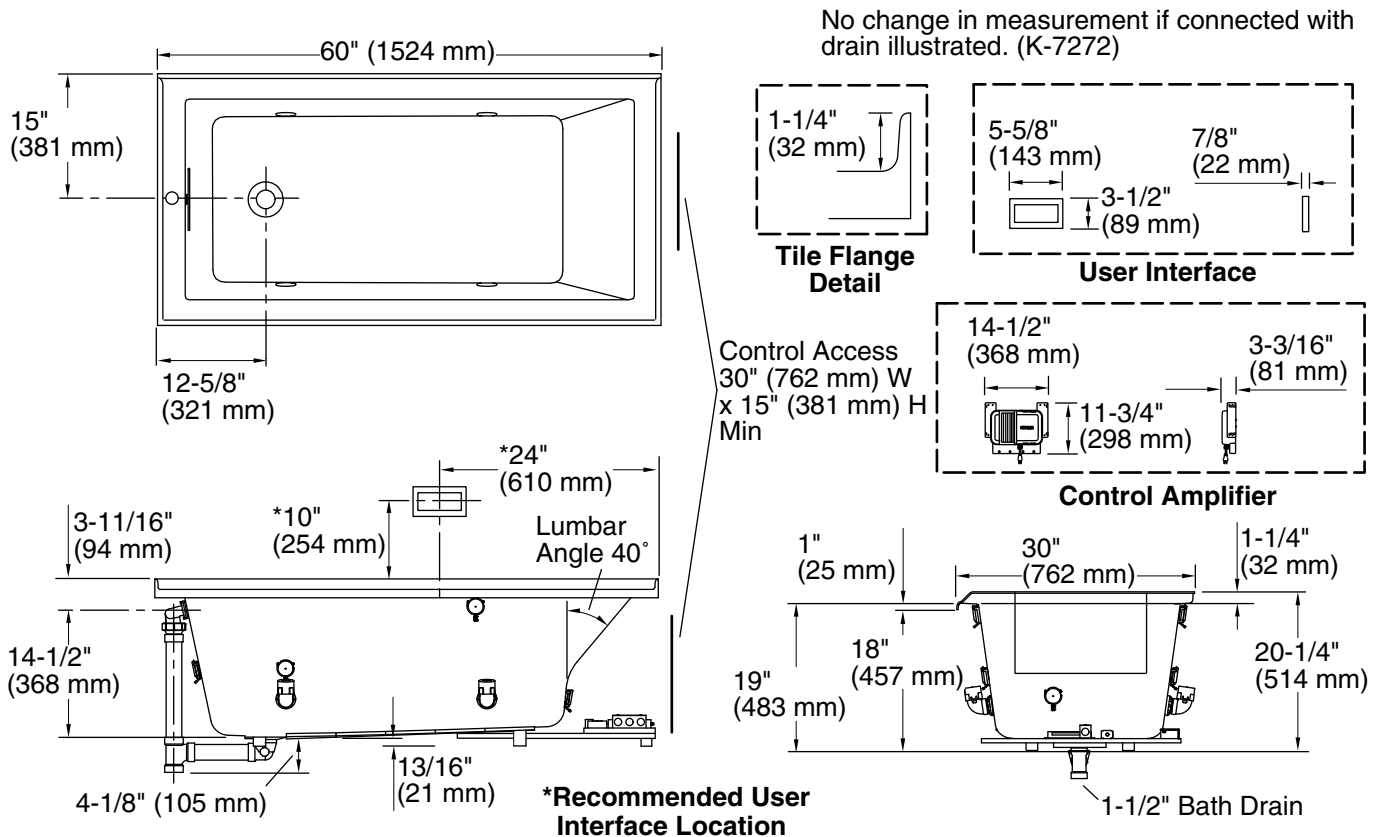
## Installation Notes

Install this product according to the installation guide. Ensure all components are functional before completing the installation. Control amplifier fits 16" (406 mm) center studs. 25' (7.6 m) cables are included.

Locate the bath within 24" (610 mm) of a GFCI-protected 120 V, 15 A grounded electrical outlet. A second grounded outlet within the wall framing must be within 24" (610 mm) of the planned control amplifier. One electrical service may be used for the entire bath and related electrical components.

Hot water supply should be 70% of capacity or greater. Installations will vary.

Floor support under bath must provide for a minimum of 50 lbs/square foot (242 kg/square meter) loading.



## Product Diagram