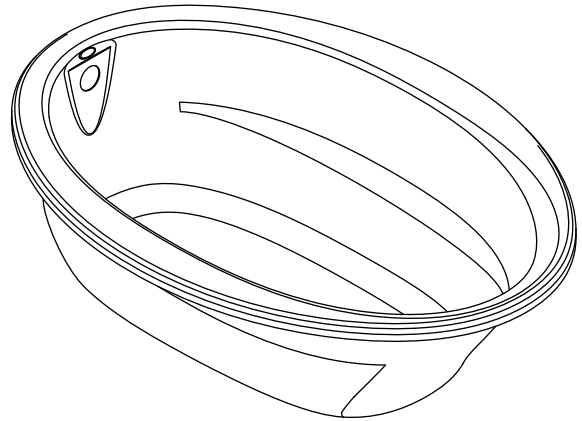


Features

- *ExoCrylic™*
- *Drop-in*
- *Oval shape*
- *Molded lumbar supports and armrests*
- *Optional K-1491 removable bath pillow*
- *Optional K-1601 removable footstop*
- *72" (1829 mm) x 42" (1067 mm) x 20" (508 mm)*



Codes/Standards Applicable

Specified model meets or exceeds the following:

- *CSA B45.5/IAPMO Z124*

Colors/Finishes

- 0: White
- Other: Refer to Price Book for additional colors/finishes

Accessories

- 0: White
- CP: Polished Chrome
- NA: None applicable
- Other: Refer to Price Book for additional colors/finishes

Specified Model

Model	Description	Colors/Finishes		
K-1165-S1	Bath	<input type="checkbox"/> 0	<input type="checkbox"/> Other_____	
Recommended Accessories				
K-11677	Swiftflo™ adjustable trip lever drain	<input type="checkbox"/> CP	<input type="checkbox"/> Other_____	
Optional Accessories				
K-576	Under-mount kit			<input type="checkbox"/> NA
K-1491	Pillow	<input type="checkbox"/> 0	<input type="checkbox"/> Other_____	
K-1601	Footstop	<input type="checkbox"/> 0	<input type="checkbox"/> Other_____	

Product Specification

The drop-in oval shaped bath shall be made of ExoCrylic. Bath shall be 72" (1829 mm) in length, 42" (1067 mm) in width, and 20" (508 mm) in height. Bath shall have molded lumbar supports and armrests. Bath shall be Kohler Model K-1165-S1-_____.

SUNWARD®

Technical Information

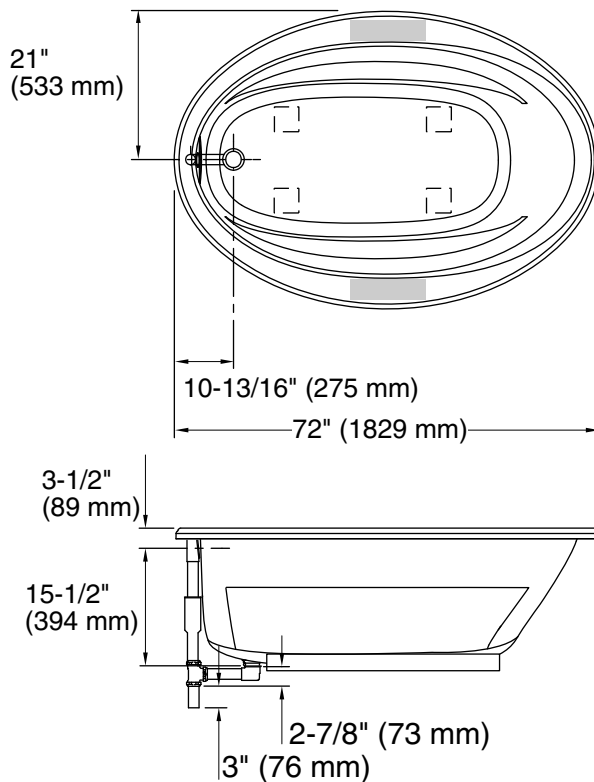
Fixture*:	
Bathing well:	
Basin area, bottom	55-1/4" (1403 mm) x 23-1/2" (597 mm)
Basin area, top	64-1/2" (1638 mm) x 32" (813 mm)
Weight	75 lbs (34 kg)
To overflow:	
Water depth	15" (381 mm)
Capacity	75 gal (284 L)
* Approximate measurements for comparison only.	
Included components:	
Cut-out template	1042557-7

Installation Notes

Install this product according to the installation guide.

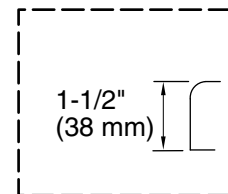
Floor support under bath must provide for a minimum of 35 lbs/square foot (168.8 kg/square meter) loading.

No change in measurements if connected with drain illustrated.

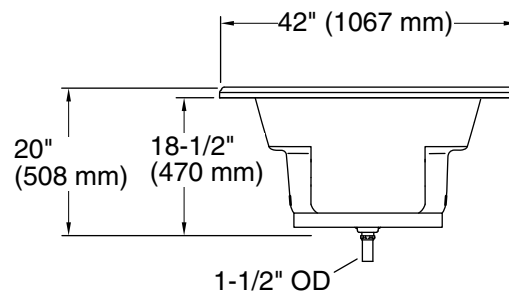


No change in measurements if connected with drain illustrated. (K-11677)

Recommended faucet area



Drop-In Rim Detail



Product Diagram