

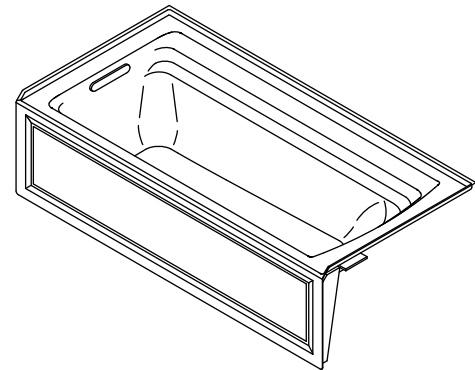
Features

- Acrylic
- Alcove installation
- Integral apron with removable access panel
- Integral tile flange
- Left or right drain
- Armrests
- Bask heated lumbar support with three temperature settings
- Textured bottom surface
- Slotted overflow for maximum bathing depth
- Low threshold height
- 72" (1829 mm) x 36" (914 mm) x 20-1/4" (514 mm)

APRON BATH WITH BASK™ HEATED SURFACE

K-1125-LAW ALSO K-1125-RAW

ADA



Codes/Standards Applicable

Specified model meets or exceeds the following:

- CSA B45.5/IAPMO Z124
- ASTM E162
- ASTM E662
- UL 1795
- ADA
- ICC/ANSI A117.1

Colors/Finishes

- 0: White
- Other: Refer to Price Book for additional colors/finishes

Accessories:

- CP: Polished Chrome
- PB: Vibrant® Polished Brass
- Other: Refer to Price Book for additional colors/finishes

Specified Model

Model	Description	Colors/Finishes	
K-1125-LAW	Apron bath with Bask heated surface, left drain (shown)	<input type="checkbox"/> 0	<input type="checkbox"/> Other_____
K-1125-RAW	Apron bath with Bask heated surface, right drain	<input type="checkbox"/> 0	<input type="checkbox"/> Other_____

Recommended Accessories				
K-7271	Clearflo slotted overflow brass bath drain OR	<input type="checkbox"/> CP	<input type="checkbox"/> PB	<input type="checkbox"/> Other_____
K-7272	Clearflo slotted overflow bath drain – PVC pipe	<input type="checkbox"/> CP	<input type="checkbox"/> PB	<input type="checkbox"/> Other_____

Product Specification

The acrylic bath shall be 72" (1829 mm) in length, 36" (914 mm) in width, and 20-1/4" (514 mm) in height. Bath shall be for alcove installation. Bath shall feature an integral tile flange and integral apron with removable access panel. Bath shall feature Bask heated lumbar support with three temperature settings. Bath shall have a left or right drain. Bath shall have slotted overflow for maximum bathing depth and low threshold height. Bath shall have armrests and features a textured bottom surface. Bath shall be Kohler Model K-1125-_____-_____.

ARCHER™

Optional Accessories

K-9529	Removable bath seat	<input type="checkbox"/> 0	
K-1491	Bath pillow	<input type="checkbox"/> 0	<input type="checkbox"/> Other_____
K-1601	Bath footstop	<input type="checkbox"/> 0	<input type="checkbox"/> Other_____

Technical Information

Fixture*:	
Bathing well:	
Basin area, bottom	51-3/8" (1304 mm) x 21" (533 mm)
Basin area, top	64-1/2" (1638 mm) x 30-1/2" (775 mm)
Weight	80 lbs (36.3 kg)
To overflow:	
Water depth	15" (381 mm)
Capacity	72 gal (273 L)
* Approximate measurements for comparison only.	

Heater:	W	V	HZ	A
	65	120	60	.5

Installation Notes

Install this product according to the installation guide.

Locate a GFCI-protected 120 V, 15 A, grounded electrical outlet within 24" (610 mm) of the bath junction box.

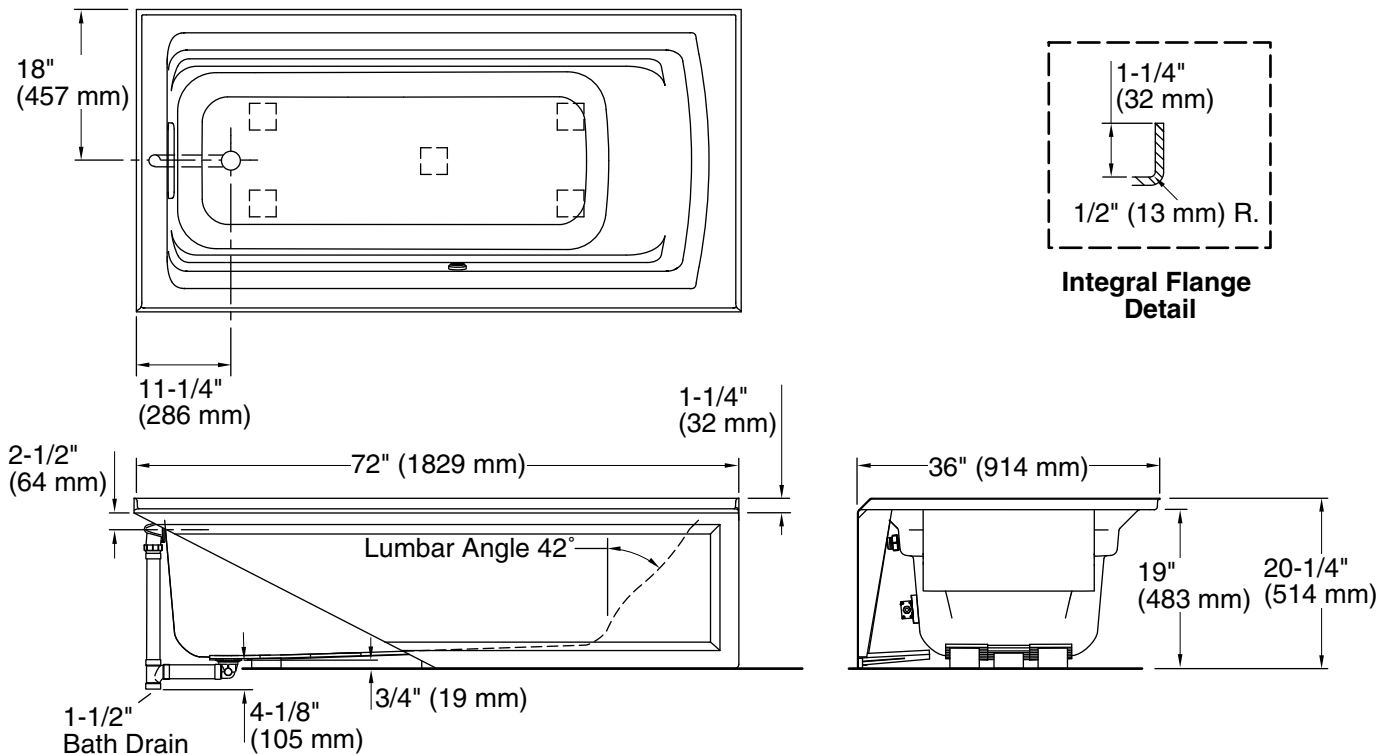
40" (1016 mm) cable is included.

Floor support under this product must provide for a minimum of 40 lbs/square foot (192 kg/square meter) loading.

The hot water supply should be 70% of the capacity of the bath or greater. Installations will vary.

Will comply with **ADA** when installed per Section 607 Bathtubs of the ADA 2010 Standards for Accessible Design.

No change in measurements if connected with drain illustrated. (K-7272)



Product Diagram

ARCHER™ APRON BATH WITH BASK™ HEATED SURFACE

Page 2 of 2
1201636-4-B

THE BOLD LOOK
OF **KOHLER**®