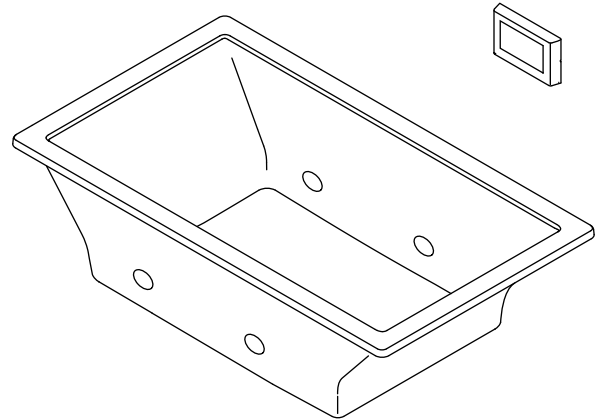


Features

- Acrylic
- Intuitive high-clarity color touch-screen user interface
- 6 transducers and control amplifier create 3-D surround sound experience
- Under-mount/drop-in installation
- Center drain
- 19" (483 mm) deep bathing well
- Available with chromatherapy [-VBC]
- Chromatherapy model is equipped with 4 lights
- User interface mounting plate is included in color CP
- 72" (1829 mm) x 42" (1067 mm) x 23" (584 mm)

6' VIBRACOUSTIC BATH K-1174-VB ALSO K-1174-VBC



Codes/Standards Applicable

Specified model meets or exceeds the following:

- CSA B45.5/IAPMO Z124
- UL 1795
- CAN/CSA C22.2 No. 218.2

Colors/Finishes

- 0: White
- CP: Polished Chrome
- BN: Brushed Nickel
- NA: None applicable
- Other: Refer to Price Book for additional colors/finishes

Specified Model

Model	Description	Colors/Finishes	
K-1174-VB	6' VibrAcoustic bath	<input type="checkbox"/> 0	<input type="checkbox"/> Other_____
K-1174-VBC	6' VibrAcoustic bath with chromatherapy (shown)	<input type="checkbox"/> 0	<input type="checkbox"/> Other_____

Required Accessories			
K-7271	Clearflo slotted overflow brass bath drain OR	<input type="checkbox"/> CP	<input type="checkbox"/> Other_____
K-7272	Clearflo slotted overflow bath drain – PVC pipe	<input type="checkbox"/> CP	<input type="checkbox"/> Other_____

Optional Accessories			
K-592	Under-mount kit		<input type="checkbox"/> NA
K-1491	Pillow	<input type="checkbox"/> 0	<input type="checkbox"/> Other_____
K-1601	Footstop	<input type="checkbox"/> 0	<input type="checkbox"/> Other_____
1172315	VibrAcoustic interface mounting plate		<input type="checkbox"/> BN

Product Specification

The acrylic vibracoustic bath shall be 72" (1829 mm) in length, 42" (1067 mm) in width, and 23" (584 mm) in height. Bath shall feature intuitive high-clarity color touch-screen user interface and 6 transducers and control amplifier, which create 3-D surround sound experience. Bath shall be available with chromatherapy [-VBC], which is equipped with 4 lights. Bath shall be available with under-mount or drop-in style installation. Bath shall have center drain. Bath shall have a 19" (483 mm) deep bathing well. The user interface mounting plate shall be included in color CP. Bath shall be Kohler Model K-1174-____-____.

UNDERScore®

Technical Information

Fixture*:			
Bathing well:			
Basin area, bottom	45-3/4" (1162 mm) x 32" (813 mm)		
Basin area, top	66" (1676 mm) x 36" (914 mm)		
Weight	90 lbs (40.8 kg)		
To overflow:			
Water depth	19" (483 mm)		
Capacity	139 gal (526.2 L)		
* Approximate measurements for comparison only.			
Drop-in cut-out	70-1/2" (1791 mm) x 40-1/2" (1029 mm)		
Amplifier/control:	Power per channel (rms) W	V	Hz
	15	120	50/60

Required Electrical Service

Dedicated circuit required, protected with Class A Ground-Fault Circuit-Interrupter (GFCI) or Residual Current Device (RCD):

Amplifier/control: 120 V, 15 A, 50/60 Hz

Installation Notes

Install this product according to the installation guide.

The bath is intended for under-mount/drop-in installation.

Control amplifier fits 16" (406 mm) center studs.

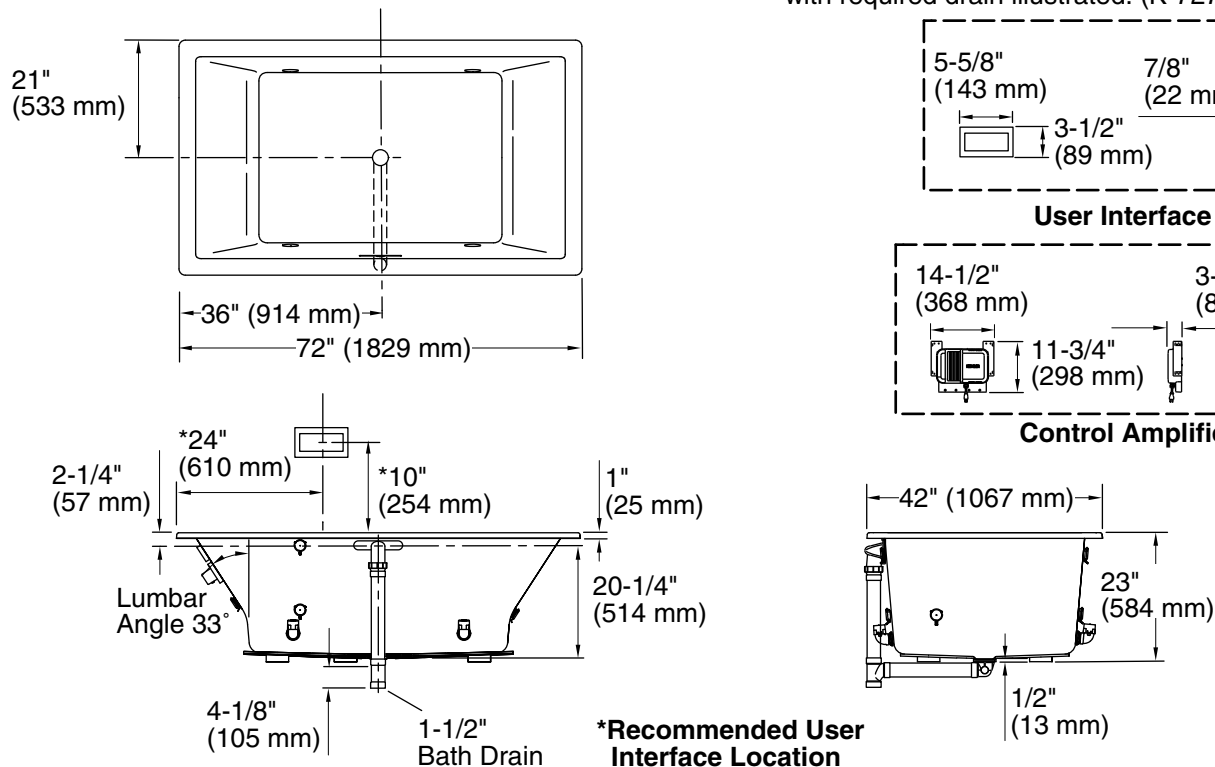
A grounded outlet within the wall framing must be within 24" (610 mm) of the planned control amplifier.

Cables are included, 25' (7.6 m) each.

Hot water supply should be 70% of capacity or greater. Installations will vary.

Floor support under bath must provide for a minimum of 60.7 lbs/square foot (296.5 kg/square meter) loading.

Ensure that the bath, user interface, amplifier, and transducers are functional before completing the installation.



Product Diagram