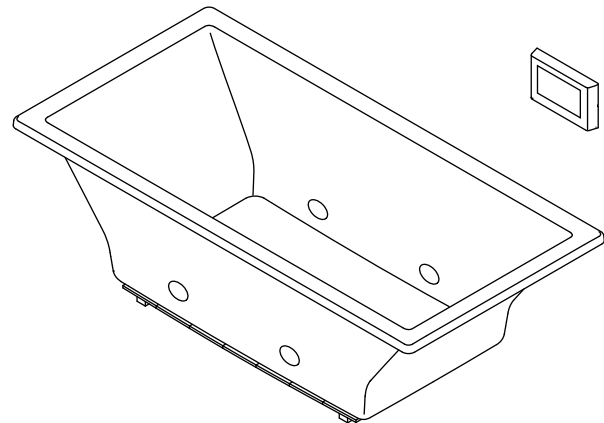


Features

- Acrylic
- Intuitive high-clarity color touch-screen user interface
- 6 transducers and control amplifier create 3-D surround sound experience
- Under-mount/drop-in installation
- Center drain
- 19-7/16" (494 mm) deep bathing well
- Available with chromatherapy [-VBC]
- Chromatherapy model is equipped with 4 lights
- User interface mounting plate is included in color CP
- 72" (1829 mm) x 36" (914 mm) x 23" (584 mm)

6' VIBRACOUSTIC BATH K-1835-VB ALSO K-1835-VBC



Codes/Standards Applicable

Specified model meets or exceeds the following:

- CSA B45.5/IAPMO Z124
- UL 1795
- CAN/CSA C22.2 No. 218.2

Colors/Finishes

- 0: White
- CP: Polished Chrome
- BN: Brushed Nickel
- NA: None applicable
- Other: Refer to Price Book for additional colors/finishes

Specified Model

Model	Description	Colors/Finishes	
K-1835-VB	6' VibrAcoustic bath	<input type="checkbox"/> 0	<input type="checkbox"/> Other_____
K-1835-VBC	6' VibrAcoustic bath with chromatherapy (shown)	<input type="checkbox"/> 0	<input type="checkbox"/> Other_____

Required Accessories

K-7271	Clearflo slotted overflow brass bath drain OR	<input type="checkbox"/> CP	<input type="checkbox"/> Other_____
K-7272	Clearflo slotted overflow bath drain – PVC pipe	<input type="checkbox"/> CP	<input type="checkbox"/> Other_____

Optional Accessories

K-593	Under-mount kit		<input type="checkbox"/> NA	
K-1491	Pillow	<input type="checkbox"/> 0		<input type="checkbox"/> Other_____
K-1601	Footstop	<input type="checkbox"/> 0		<input type="checkbox"/> Other_____
1172315	VibrAcoustic interface mounting plate		<input type="checkbox"/> BN	

Product Specification

The acrylic vibracoustic bath shall be 72" (1829 mm) in length, 36" (914 mm) in width, and 23" (584 mm) in height. Bath shall feature intuitive high-clarity color touch-screen user interface and 6 transducers and control amplifier, which create 3-D surround sound experience. Bath shall be available with chromatherapy [-VBC], which is equipped with 4 lights. Bath shall be available with under-mount or drop-in style installation. Bath shall have center drain. Bath shall have a 19-7/16" (494 mm) deep bathing well. The user interface mounting plate shall be included in color CP. Bath shall be Kohler Model K-1835-____-____.

UNDERScore®

Technical Information

Fixture*:			
Bathing well:			
Basin area, bottom	45-3/4" (1162 mm) x 25-15/16" (659 mm)		
Basin area, top	65-3/8" (1661 mm) x 29-5/16" (745 mm)		
Weight	87 lbs (39.5 kg)		
To overflow:			
Water depth	19-7/16" (494 mm)		
Capacity	112.9 gal (427 L)		
* Approximate measurements for comparison only.			
Drop-in cut-out		71-1/2" (1816 mm) x 35-1/2" (902 mm)	
Amplifier/control:	Power per channel (rms) W	V	Hz
	15	120	50/60

Required Electrical Service

Dedicated circuit required, protected with Class A Ground-Fault Circuit-Interrupter (GFCI) or Residual Current Device (RCD):

Amplifier/control: 120 V, 15 A, 50/60 Hz

Installation Notes

Install this product according to the installation guide.

The bath is intended for under-mount/drop-in installation.

Control amplifier fits 16" (406 mm) center studs.

A grounded outlet within the wall framing must be within 24" (610 mm) of the planned control amplifier.

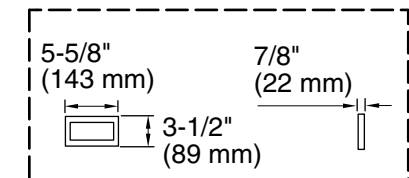
Cables are included, 25' (7.6 m) each.

Hot water supply should be 70% of capacity or greater. Installations will vary.

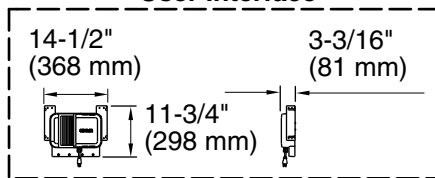
Floor support under bath must provide for a minimum of 58.6 lbs/square foot (286 kg/square meter) loading.

Ensure the bath, user interface, amplifier, and transducers are functional before completing the installation.

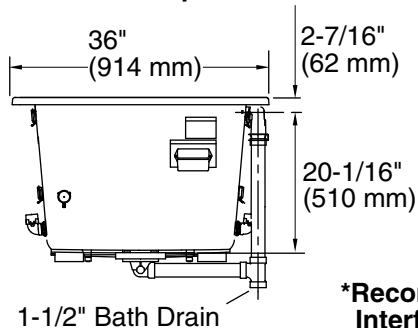
No change in measurement if connected with drain illustrated. (K-7272)



User Interface

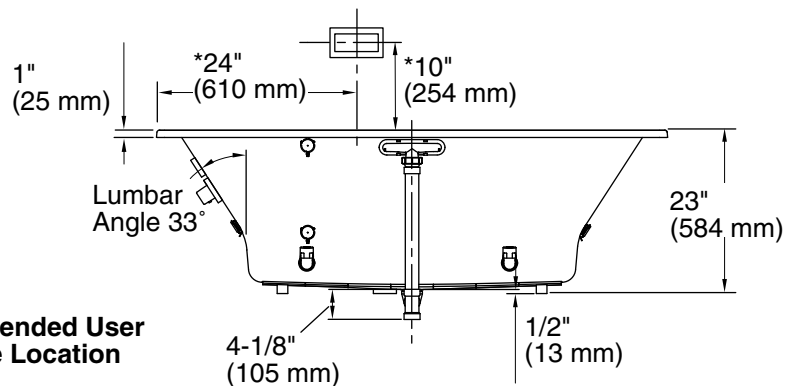
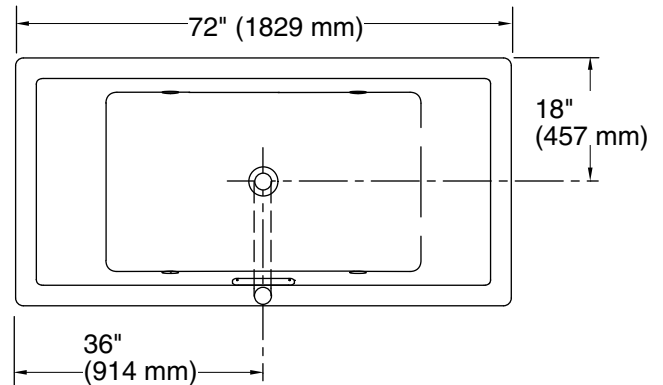


Control Amplifier



1-1/2" Bath Drain

*Recommended User Interface Location



Product Diagram