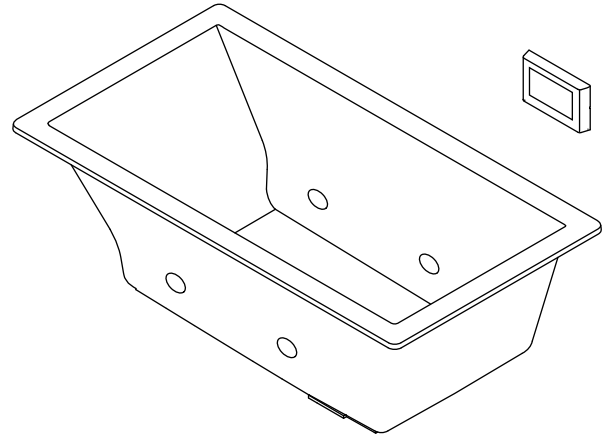


Features

- Acrylic
- Intuitive high-clarity color touch-screen user interface
- 6 transducers and control amplifier create 3-D surround sound experience
- Under-mount/drop-in style installation
- 17-3/4" (451 mm) deep bathing well
- Available with chromatherapy [-VBC]
- Chromatherapy model is equipped with 4 lights
- User interface mounting plate is included in color CP
- 66" (1676 mm) x 36" (914 mm) x 22" (559 mm)

5.5' VIBRACOUSTIC BATH K-1173-VB ALSO K-1173-VBC



Codes/Standards Applicable

Specified model meets or exceeds the following:

- CSA B45.5/IAPMO Z124
- UL 1795
- CAN/CSA C22.2 No. 218.2

Colors/Finishes

- 0: White
- CP: Polished Chrome
- BN: Brushed Nickel
- Other: Refer to Price Book for additional colors/finishes

Specified Model

Model	Description	Colors/Finishes	
K-1173-VB	5.5' VibrAcoustic bath	<input type="checkbox"/> 0	<input type="checkbox"/> Other _____
K-1173-VBC	5.5' VibrAcoustic bath with chromatherapy (shown)	<input type="checkbox"/> 0	<input type="checkbox"/> Other _____
Required Accessories			
K-7271	Clearflo slotted overflow brass bath drain OR	<input type="checkbox"/> CP	<input type="checkbox"/> Other _____
K-7272	Clearflo slotted overflow bath drain – PVC pipe	<input type="checkbox"/> CP	<input type="checkbox"/> Other _____
Optional Accessories			
K-591	Under-mount kit	<input type="checkbox"/> NA	
K-1491	Pillow	<input type="checkbox"/> 0	<input type="checkbox"/> Other _____
K-1601	Footstop	<input type="checkbox"/> 0	<input type="checkbox"/> Other _____
1172315	Vibracoustic user interface mounting plate	<input type="checkbox"/> BN	

Product Specification

The acrylic vibracoustic bath shall be 66" (1676 mm) in length, 36" (914 mm) in width, and 22" (559 mm) in height. Bath shall feature intuitive high-clarity color touch-screen user interface and 6 transducers and control amplifier, which create 3-D surround sound experience. Bath shall be available with chromatherapy [-VBC], which is equipped with 4 lights. Bath shall be available with under-mount or drop-in style installation. Bath shall have a 17-3/4" (451 mm) deep bathing well. The user interface mounting plate shall be included in color CP. Bath shall be Kohler Model K-1173-____-____.

UNDERScore®

Technical Information

Fixture*:			
Bathing well:			
Basin area, bottom	44-1/2" (1130 mm) x 26-1/2" (673 mm)		
Basin area, top	60-1/4" (1530 mm) x 30-1/4" (768 mm)		
Weight	85 lbs (38.6 kg)		
To overflow:			
Water depth	17-3/4" (451 mm)		
Capacity	102 gal (386 L)		
* Approximate measurements for comparison only.			
Drop-in cut-out		65" (1651 mm) x 35" (889 mm)	
Amplifier/control:	Power per channel (rms) W	V	Hz
	15	120	50/60

Required Electrical Service

Dedicated circuit required, protected with Class A Ground-Fault Circuit-Interrupter (GFCI) or Residual Current Device (RCD):

Amplifier/control	120 V, 15 A, 50/60 Hz
-------------------	-----------------------

Installation Notes

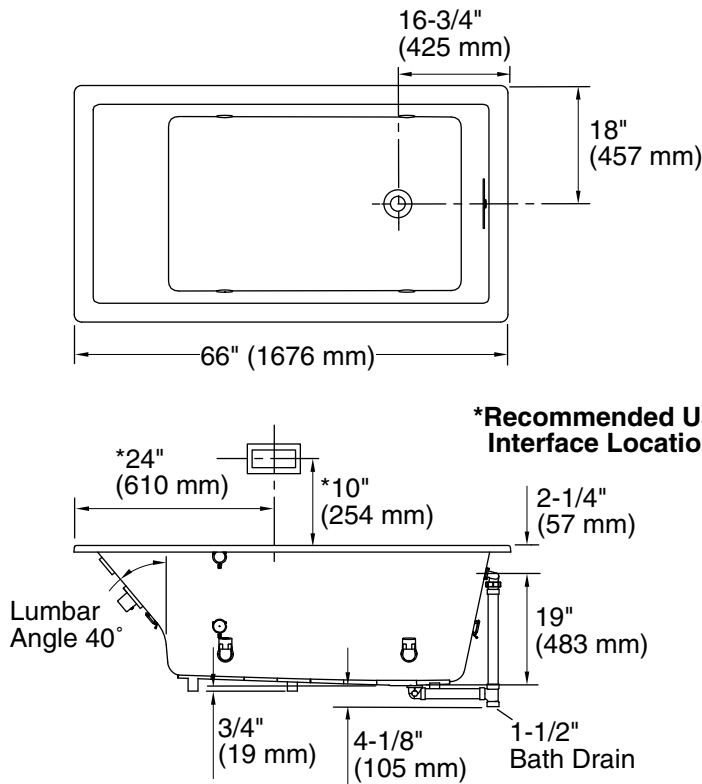
Install this product according to the installation guide.

Control amplifier fits 16" (406 mm) center studs. 25' (7.6 m) cables are included.

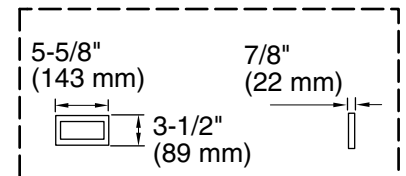
A grounded outlet within the wall framing must be within 24" (610 mm) of the planned control amplifier.

Floor support under bath must provide for a minimum of 64 lbs/square foot (313 kg/square meter) loading.

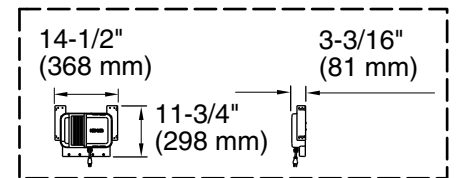
Ensure that the bath, user interface, amplifier, and transducers are functional before completing the installation.



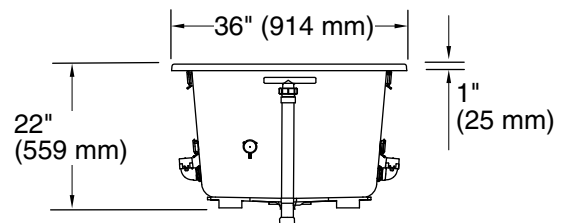
No change in measurements if connected with drain illustrated. (K-7272)



User Interface



Control Amplifier



Product Diagram