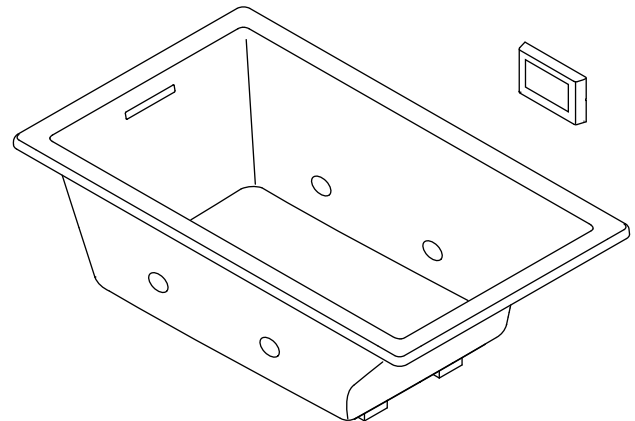


Features

- Acrylic
- Intuitive high-clarity color touch-screen user interface
- 6 transducers and control amplifier create 3-D surround sound experience
- Under-mount/drop-in style installation
- 17-1/8" (435 mm) deep bathing well
- Available with chromatherapy [-VBC]
- Chromatherapy model is equipped with 4 lights
- User interface mounting plate is included in color CP
- 60" (1524 mm) x 36" (914 mm) x 21" (533 mm)

5' VIBRACOUSTIC BATH K-1849-VB ALSO K-1849-VBC



Codes/Standards Applicable

Specified model meets or exceeds the following:

- CSA B45.5/IAPMO Z124
- CAN/CSA C22.2 No. 218.2
- UL 1795

Colors/Finishes

- 0: White
- CP: Polished Chrome
- BN: Brushed Nickel
- NA: None applicable
- Other: Refer to Price Book for additional colors/finishes

Specified Model

Model	Description	Colors/Finishes	
K-1849-VB	5' VibrAcoustic bath	<input type="checkbox"/> 0	<input type="checkbox"/> Other_____
K-1849-VBC	5' VibrAcoustic bath with chromatherapy (shown)	<input type="checkbox"/> 0	<input type="checkbox"/> Other_____
Required Accessories			
K-7271	Clearflo slotted overflow brass bath drain OR	<input type="checkbox"/> CP	<input type="checkbox"/> Other_____
K-7272	Clearflo slotted overflow bath drain – PVC pipe	<input type="checkbox"/> CP	<input type="checkbox"/> Other_____
Optional Accessories			
K-534	Under-mount kit		<input type="checkbox"/> NA
K-1491	Pillow	<input type="checkbox"/> 0	<input type="checkbox"/> Other_____
K-1601	Footstop	<input type="checkbox"/> 0	<input type="checkbox"/> Other_____
1172315	VibrAcoustic interface mounting plate		<input type="checkbox"/> BN

Product Specification

The acrylic vibracoustic bath shall be 60" (1524 mm) in length, 36" (914 mm) in width, and 21" (533 mm) in height. Bath shall feature intuitive high-clarity color touch-screen user interface and 6 transducers and control amplifier, which create 3-D surround sound experience. Bath shall be available with chromatherapy [-VBC], which is equipped with 4 lights. Bath shall be available with under-mount or drop-in style installation. Bath shall have a 17-1/8" (435 mm) deep bathing well. The user interface mounting plate shall be included in color CP. Bath shall be Kohler Model K-1849-____-____.

UNDERScore®

Technical Information

Fixture*:			
Bathing well:			
Basin area, bottom	39-9/16" (1005 mm) x 24-11/16" (627 mm)		
Basin area, top	53-5/8" (1362 mm) x 29-1/2" (749 mm)		
Weight	80 lbs (36.3 kg)		
To overflow:			
Water depth	17-1/8" (435 mm)		
Capacity	81.1 gal (307 L)		
* Approximate measurements for comparison only.			
Drop-in cut-out		59-1/2" (1511 mm) x 35-1/2" (902 mm)	
Amplifier/control:	Power per channel (rms) W	V	Hz
	15	120	50/60

Required Electrical Service

Dedicated circuit required, protected with Class A Ground-Fault Circuit-Interrupter (GFCI) or Residual Current Device (RCD):

Amplifier/control: 120 V, 15 A, 50/60 Hz

Installation Notes

Install this product according to the installation guide.

The bath is intended for under-mount/drop-in installation.

Control amplifier fits 16" (406 mm) center studs.

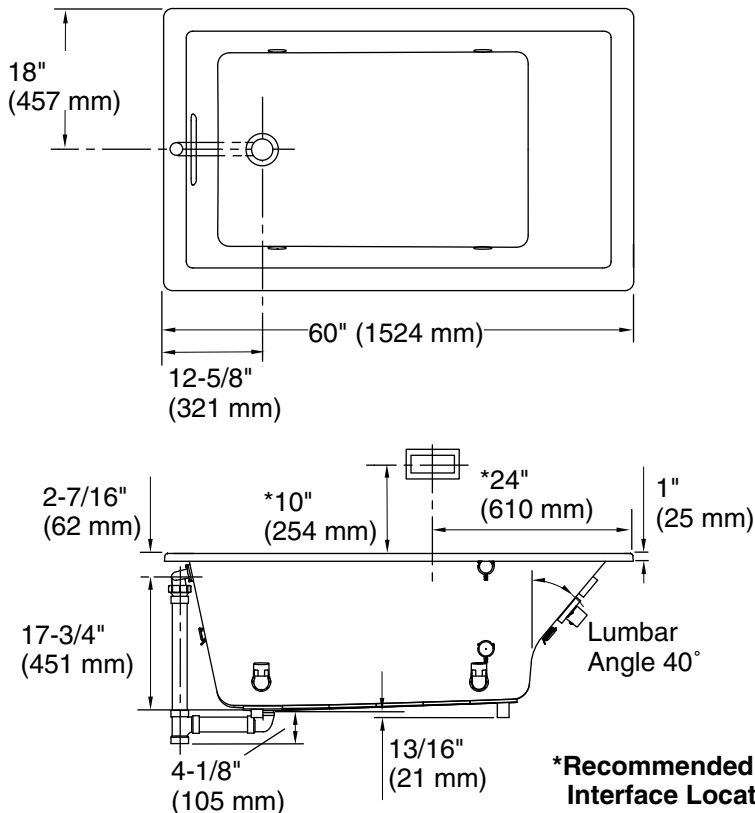
A grounded outlet within the wall framing must be within 24" (610 mm) of the planned control amplifier.

Cables are included, 25' (7.6 m) each.

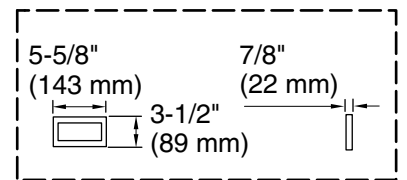
Hot water supply should be 70% of capacity or greater. Installations will vary.

Floor support under bath must provide for a minimum of 52.1 lbs/square foot (254.5 kg/square meter) loading.

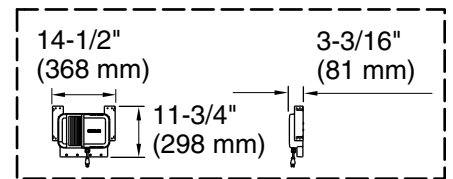
Ensure the bath, user interface, amplifier, and transducers are functional before completing the installation.



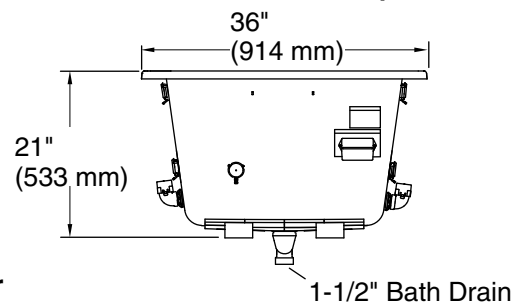
No change in measurement if connected with drain illustrated. (K-7272)



User Interface



Control Amplifier



Product Diagram