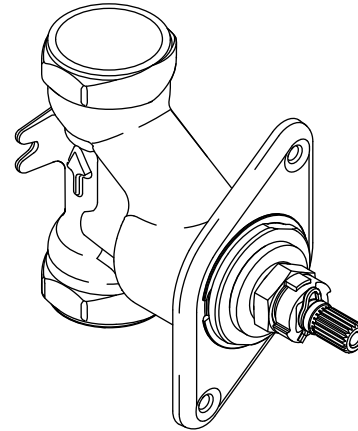


Features

- Forged brass construction
- Single-handle volume control
- 1/2" quarter-turn washerless ceramic disc valves
- 1/2" NPT connections
- Intended for use with Kohler® thermostatic mixer valving

**1/2" VOLUME CONTROL VALVE
K-2974-K**



Codes/Standards Applicable

Specified model meets or exceeds the following:

- ASME A112.18.1/CSA B125.1

Colors/Finishes

- NA: None applicable

Specified Model

Model	Description	Colors/Finishes
K-2974-K	1/2" volume control valve	<input type="checkbox"/> NA

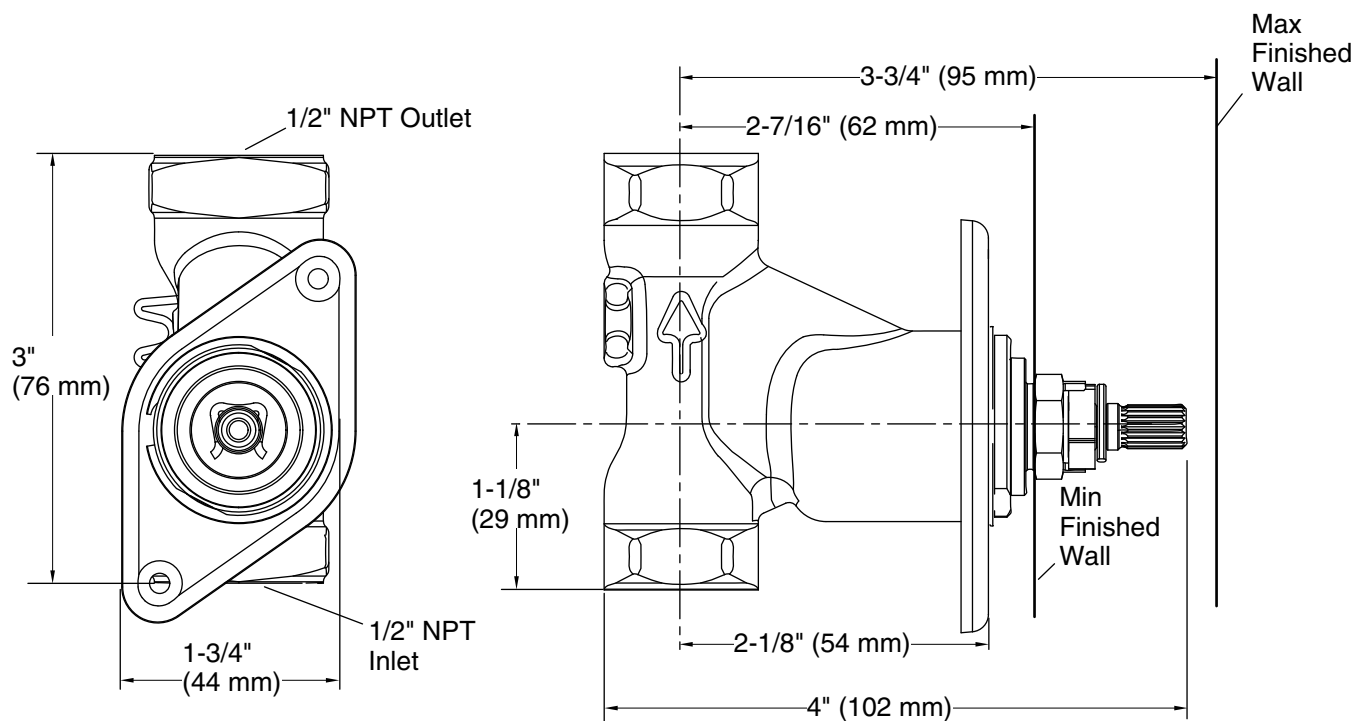
Product Specification

The volume control valve shall have a forged brass valve body. Product shall feature a 1/2" quarter-turn washerless ceramic disc valve, assuring positive handle stop positioning. Product shall have 1/2" NPT connections. Product shall feature single-handle volume control. Product is intended for use with Kohler thermostatic mixer valving. Product shall be Kohler Model K-2974-K-NA.

MASTERSHOWER®

Installation Notes

Install this product according to the installation guide.



Product Diagram