

Features

- Vitreous china
- Under-mount
- With overflow
- Available with KOHLER Artist Editions designs
- 21-1/4" (540 mm) x 12-1/4" (311 mm)

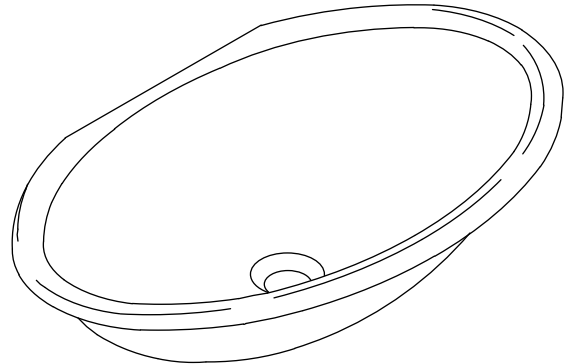
UNDER-MOUNT BATHROOM SINK K-2240

ADA

Codes/Standards Applicable

Specified model meets or exceeds the following:

- ASME A112.19.2/CSA B45.1
- ADA
- ICC/ANSI A117.1



Colors/Finishes

- 0: White
- Other: Refer to Price Book for additional colors/finishes

Accessories:

- CP: Polished Chrome
- Other: Refer to Price Book for additional colors/finishes

Specified Model

Model	Description	Colors/Finishes	
K-2240	Under-mount bathroom sink	<input type="checkbox"/> 0	<input type="checkbox"/> Other_____
Recommended Accessory			
K-8998	P-trap	<input type="checkbox"/> CP	<input type="checkbox"/> Other_____

Product Specification

The under-mount bathroom sink shall be 21-1/4" (540 mm) in length and 12-1/4" (311 mm) in width. Bathroom sink shall be made of vitreous china. Bathroom sink shall be available with KOHLER Artist Editions designs. Bathroom sink shall have overflow. Bathroom sink shall be Kohler Model K-2240-_____.

VINTAGE®

Technical Information

Fixture*:	
Bowl area	21" (533 mm) x 12" (305 mm)
Water depth	4-7/8" (124 mm)
Drain hole	Ø 1-3/4" (44 mm)
* Approximate measurements for comparison only.	
Cutout template	1046699-7
Included Components:	
Basin clamp assembly	52047
Adjustable linkage	40372

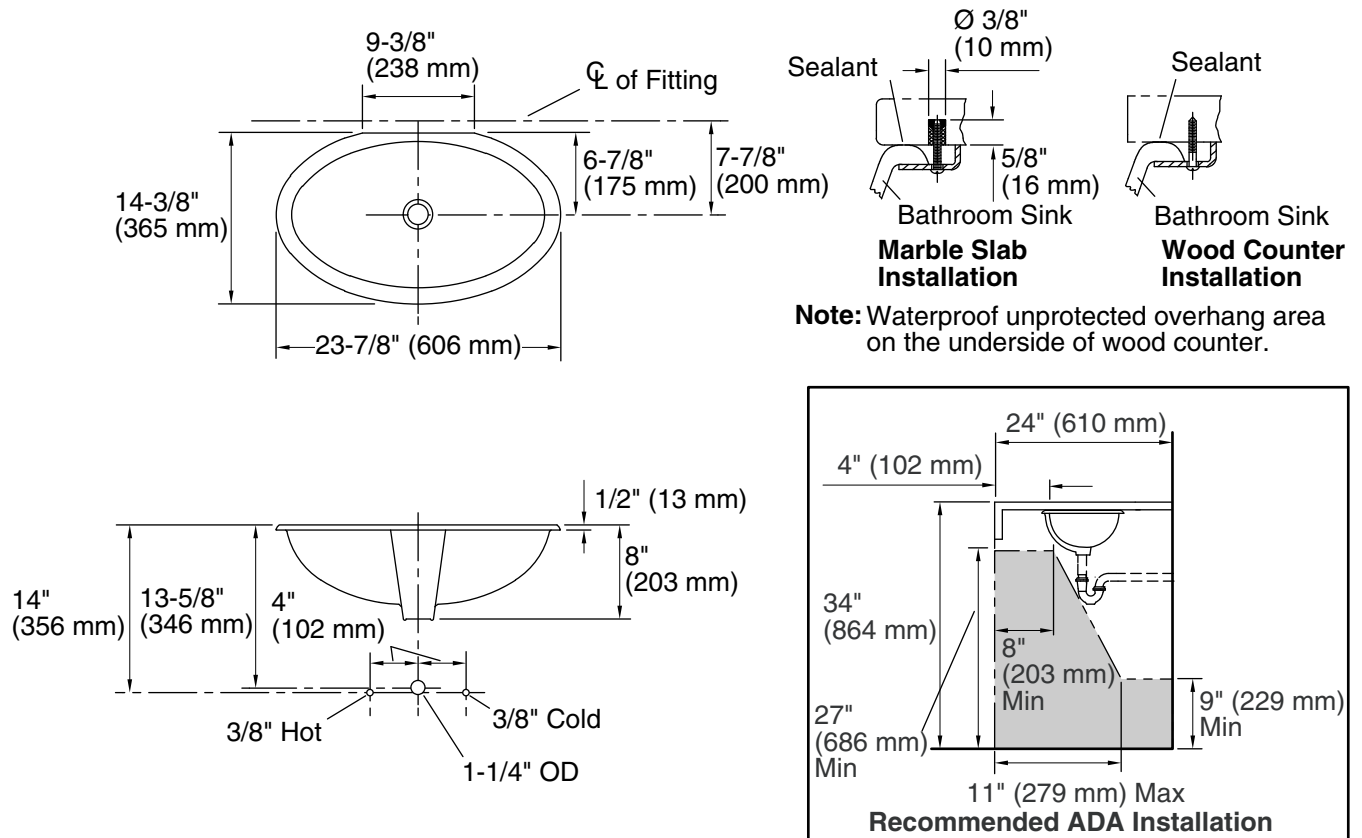
Installation Notes

Install this product according to the installation guide.

Will comply with **ADA** when installed per Section 606 Lavatories of the Act.

Supplied basin clamp assemblies require 1" (25 mm) minimum countertop thickness. Installer must supply anchors for thinner countertops.

NOTICE: Countertop manufacturer or cutter must use the current product template available at www.kohler.com, or by calling 1-800-4KOHLER. Kohler Co. is not responsible for cutout errors when the incorrect cutout template is used.



Product Diagram