

Features

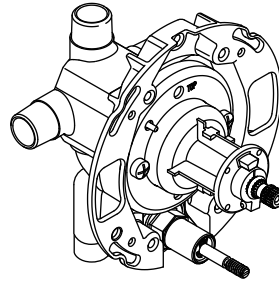
- Brass valve bodies
- Rite-Temp® pressure-balancing diaphragm design
- Pressure-balancing mechanism of one-piece diaphragm cartridge design for ease of maintenance
- Mixing valve cycles from "cold" to "hot"
- Integral diverter mechanism
- High-temperature limit setting for added safety
- Available with or without screwdriver stops
- Designed for showerhead and handshower applications

Codes/Standards Applicable

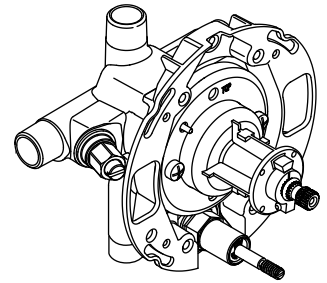
Specified model meets or exceeds the following:

- ASME A112.18.1/CSA B125.1
- ASSE 1016

**PRESSURE-BALANCING VALVE
K-11748**



K-11748-K



K-11748-KS

Colors/Finishes

- NA: None applicable

Specified Model

Model	Description	Colors/Finishes
K-11748-K	Pressure-balancing valve without screwdriver stops	<input type="checkbox"/> NA
K-11748-KS	Pressure-balancing valve with screwdriver stops	<input type="checkbox"/> NA

Optional Accessories

Deep rough-in kits are available (refer to the trim set Specification Sheet).

Product Specification

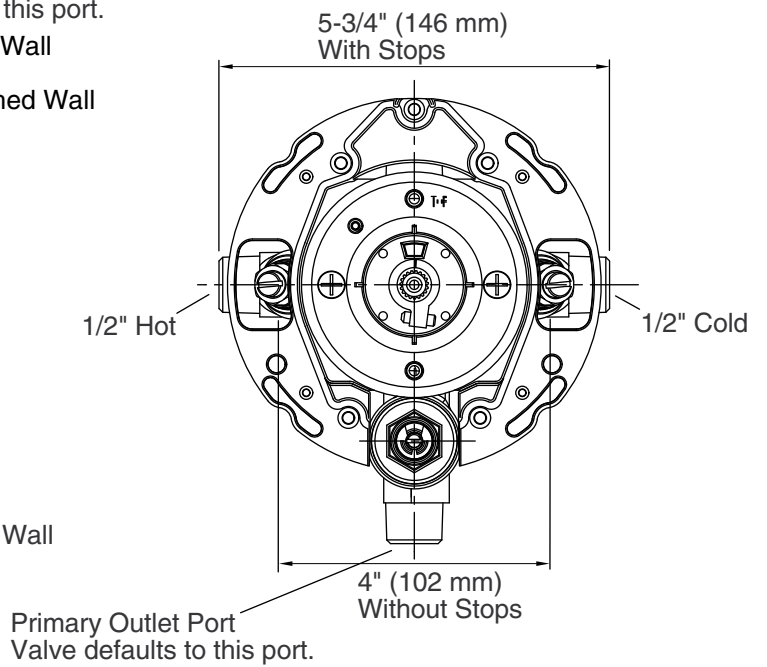
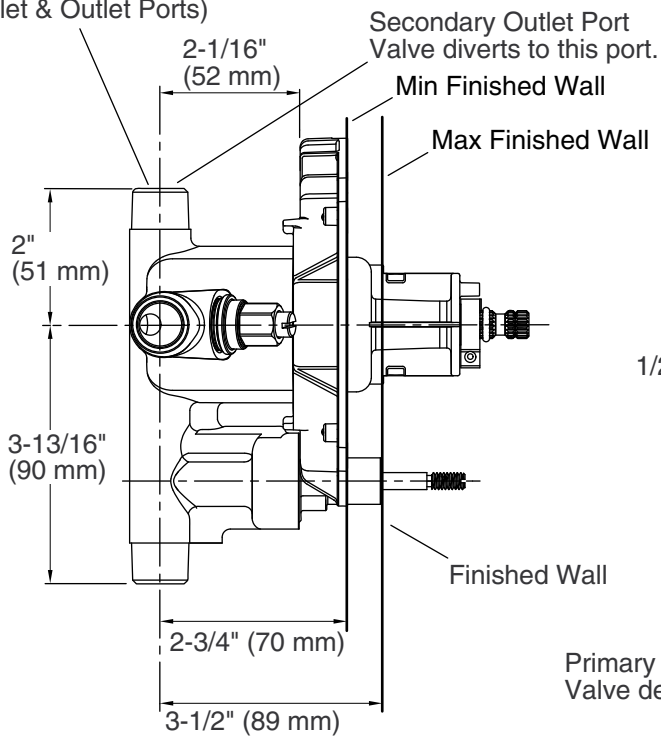
Rite-Temp pressure-balancing single-control valve shall feature a brass valve body. Valve shall feature mixing valve cycles from "cold" to "hot" and a high-temperature limit setting for added safety. Valve shall feature a Rite-Temp pressure-balancing diaphragm design and a pressure-balancing mechanism of one-piece diaphragm cartridge design for ease of maintenance. Valve shall have integral diverter mechanism. Valve shall be available with or without screwdriver stops. Valve shall be designed for showerhead and handshower applications. Rite-Temp pressure-balancing valve shall be Kohler Model K-11748-_____-NA.

RITE-TEMP®

Installation Notes

Avoid cross-flow conditions. Do not install shut-off device on either valve outlet.

1/2"- 14 NPT OD 5/8" ID
For 1/2" Nom. Copper Tubing.
(all Inlet & Outlet Ports)



Product Diagram