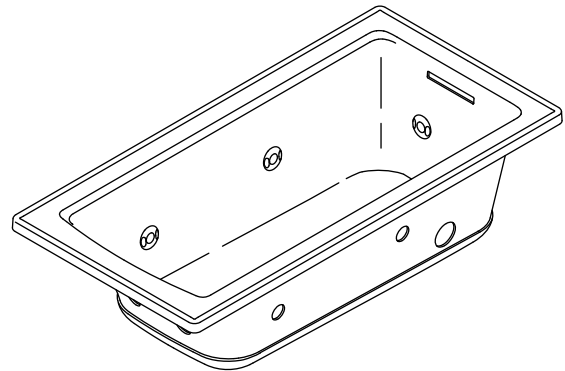


Features

- *ExoCrylic™*
- 8 color-matched Kohler hydro-massage jets
- Pump with air switch and grounding-type plug-in cord
- Slotted overflow for maximum bathing depth
- Low threshold height
- Integral lumbar support
- Drop-in or 3-side integral flange [-L, -R]
- 60" (1524 mm) x 30" (762 mm) x 19" (483 mm)

**5' BATH WHIRLPOOL
K-1947**
ALSO K-1947-L, K-1947-R

ADA



Codes/Standards Applicable

Specified model meets or exceeds the following:

- ADA
- ICC/ANSI A117.1
- CSA B45.5/IAPMO Z124
- CSA C22.2 No 218.2
- ASME A112.19.7/CSA B45.10
- UL 1795
- NMX-J-521

Colors/Finishes

- 0: White
- Other: Refer to Price Book for additional colors/finishes

Accessories

- CP: Polished Chrome
- Other: Refer to Price Book for additional colors/finishes

Specified Model

Model	Description	Colors/Finishes	
K-1947	5' bath whirlpool – drop-in (shown)	<input type="checkbox"/> 0	<input type="checkbox"/> Other_____
K-1947-L	5' bath whirlpool – 3-side integral flange, left drain	<input type="checkbox"/> 0	<input type="checkbox"/> Other_____
K-1947-R	5' bath whirlpool – 3-side integral flange, right drain	<input type="checkbox"/> 0	<input type="checkbox"/> Other_____
Required Accessories			
K-7271	Clearflo slotted overflow brass bath drain OR	<input type="checkbox"/> CP	<input type="checkbox"/> Other_____
K-7272	Clearflo slotted overflow bath drain – PVC pipe	<input type="checkbox"/> CP	<input type="checkbox"/> Other_____

Product Specification

The ExoCrylic bath whirlpool shall be 60" (1524 mm) in length, 30" (762 mm) in width, and 19" (483 mm) in height. Bath whirlpool shall feature 8 color-matched jets, and a pump with air switch and grounding-type plug-in cord. Bath whirlpool shall have slotted overflow for maximum bathing depth, low threshold height, and integral lumbar support. Bath whirlpool shall be for drop-in or 3-side integral flange [-L, -R]. Bath whirlpool shall be Kohler Model K-1947-_____-_____.

ARCHER®

Technical Information

Fixture*:			
Bathing well			
Basin area, bottom	45-1/8" (1146 mm) x 19-11/16" (500 mm)		
Basin area, top	52-1/8" (1324 mm) x 22-1/16" (560 mm)		
Weight	98 lbs (44.5 kg)		
To overflow			
Water depth	15-1/8" (384 mm)		
Capacity	57 gal (216.9 L)		
* Approximate measurements for comparison only.			
Drop-in cutout	58-1/2" (1486 mm) x 28-1/2" (724 mm)		
Pump:	V	Hz	A
1-speed	120	60	7
Pump is supplied with 24" (610 mm) grounding-type plug-in cord.			

Required Electrical Service

Dedicated circuit required, protected with a Class A Ground-Fault Circuit-Interrupter (GFCI):	
Pump/control	120 V, 15 A, 60 Hz
Locate the outlet behind the whirlpool and within 24" (610 mm) of the pump.	

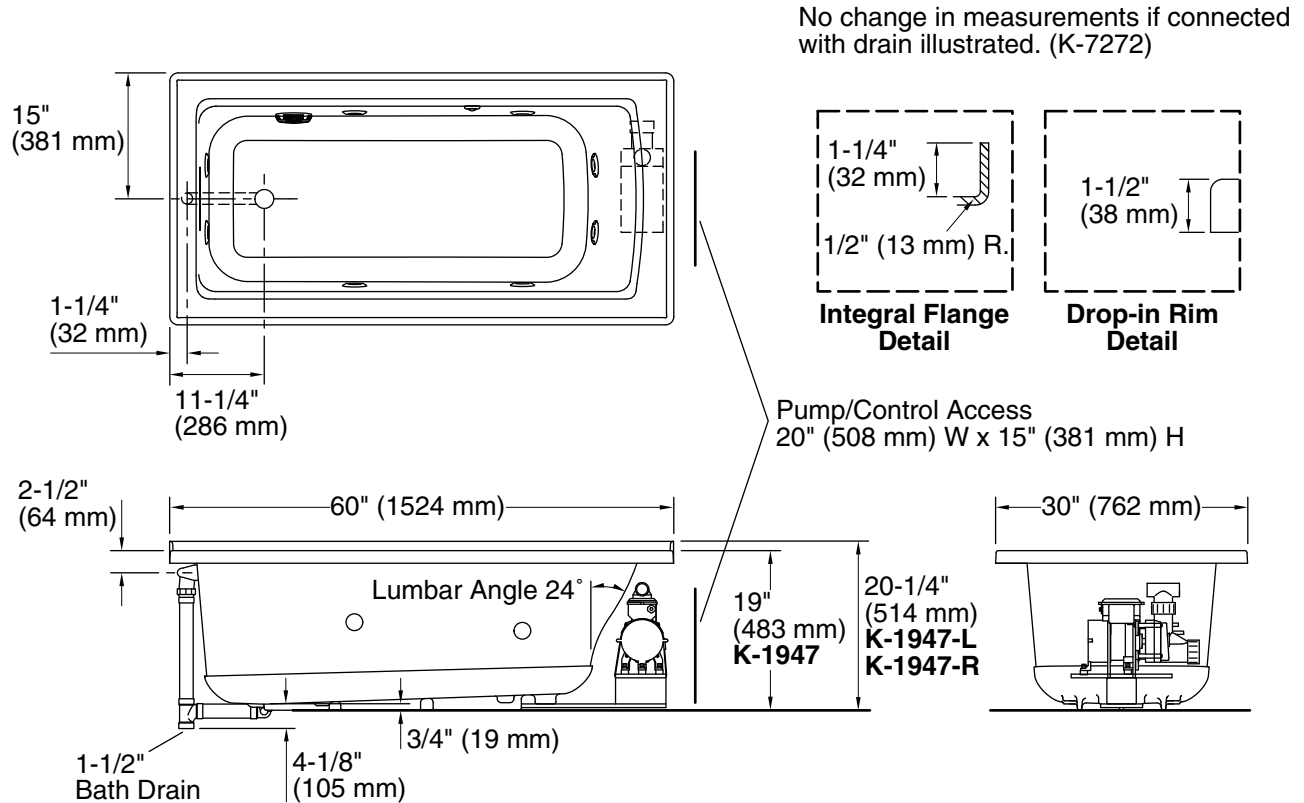
Installation Notes

Install this product according to the installation guide.

Floor support under this product must provide for a minimum of 48 lbs/square foot (234 kg/square meter) loading.

The hot water supply should be 70% of the capacity of the bath or greater. Installations will vary.

Will comply with **ADA** when installed per Section 607 Bathtubs of the Act.



Product Diagram