

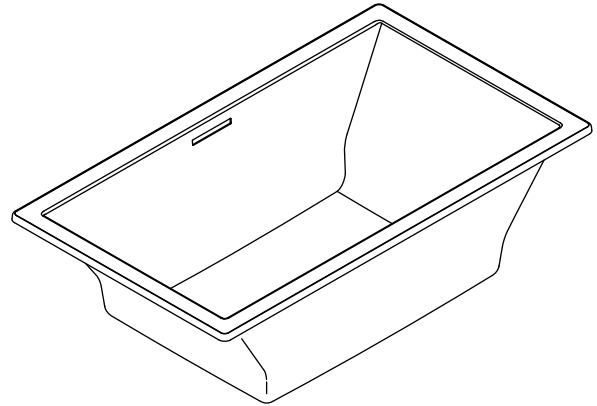
Features

- Acrylic
- Drop-in installation
- 139 gal (526.2 L) capacity
- 72" (1829 mm) x 42" (1067 mm) x 23" (584 mm)

Codes/Standards Applicable

Specified model meets or exceeds the following:

- CSA B45.5/IAPMO Z124
- ASTM E162
- ASTM E662



Colors/Finishes

- 0: White
- Other: Refer to Price Book for additional colors/finishes

Accessories

- CP: Polished Chrome
- NA: None applicable
- Other: Refer to Price Book for additional colors/finishes

Specified Model

Model	Description	Colors/Finishes	
K-1137	6' bath – drop-in	<input type="checkbox"/> 0	<input type="checkbox"/> Other_____
Required Accessories			
K-7271	Clearflo slotted overflow brass bath drain OR	<input type="checkbox"/> CP	<input type="checkbox"/> Other_____
K-7272	Clearflo slotted overflow bath drain – PVC pipe	<input type="checkbox"/> CP	<input type="checkbox"/> Other_____
Optional Accessories			
K-592	Undermount kit	<input type="checkbox"/> NA	

Product Specification

The acrylic bath shall be 72" (1829 mm) in length, 42" (1067 mm) in width, and 23" (584 mm) in height. Bath shall be for drop-in installation. Bath shall have a 139 gal (526.2 L) capacity. Bath shall be Kohler Model K-1137-_____.

UNDERScore®

Technical Information

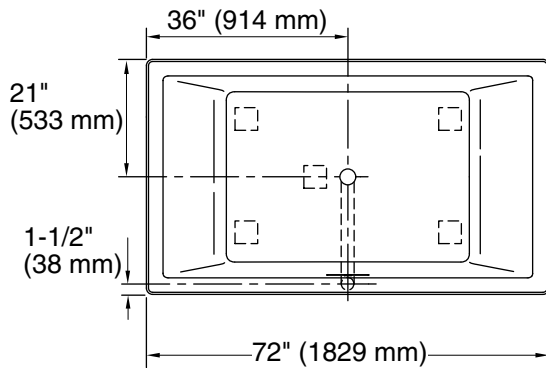
Fixture*:	
Bathing well:	
Basin area, bottom	45-3/4" (1162 mm) x 32" (813 mm)
Basin area, top	66" (1676 mm) x 36" (914 mm)
Weight	85 lbs (38.6 kg)
To overflow:	
Water depth	19" (483 mm)
Capacity	139 gal (526.2 L)
* Approximate measurements for comparison only.	
Drop-in cut-out	70-1/2" (1791 mm) x 40-1/2" (1029 mm)

Installation Notes

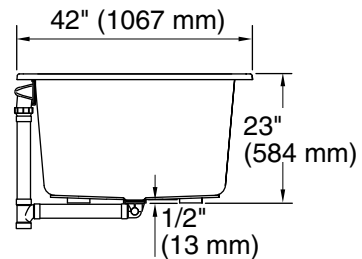
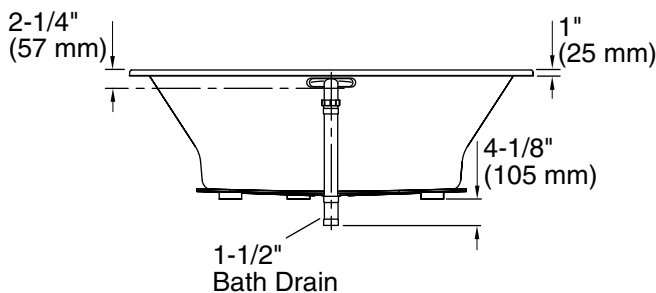
Install this product according to the installation guide.

Floor support under bath must provide for a minimum of 60 lbs/square foot (291 kg/square meter) loading.

The hot water supply should be 70% of the capacity of the bath or greater. Installations will vary.



No change in measurements if connected with required drain illustrated. (K-7272)



Product Diagram