

**Features**

- Metal construction
- Front seal plate assembly
- Handle assembly

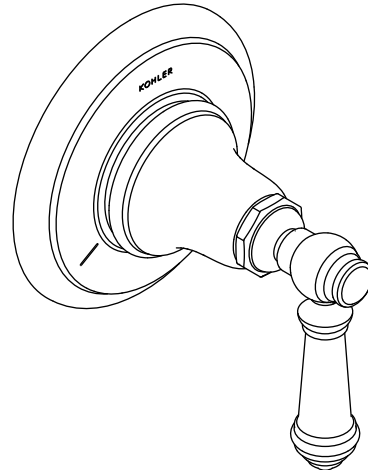
**TRANSFER VALVE TRIM  
K-T72770**

ADA

**Codes/Standards Applicable**

Specified model meets or exceeds the following:

- ICC/ANSI A117.1
- ASME A112.18.1/CSA B125.1
- ADA






**Colors/Finishes**

- CP: Polished Chrome
- Other: Refer to Price Book for additional colors/finishes

**Accessories**

- NA: None applicable

**Specified Model**

Model	Description	 ADA	 ADA	 ADA
K-T72770-4	Transfer valve trim - Basic lever handle	<input type="checkbox"/> CP <input type="checkbox"/> Other _____		
K-T72770-3M	Transfer valve trim - 6-Prong handle		<input type="checkbox"/> CP <input type="checkbox"/> Other _____	
K-T72770-9M	Transfer valve trim - Vertical lever			<input type="checkbox"/> CP <input type="checkbox"/> Other _____

Required Accessories			
K-728-K	3/4" Transfer valve		<input type="checkbox"/> NA
K-737-K	3/4" Diverter valve		<input type="checkbox"/> NA

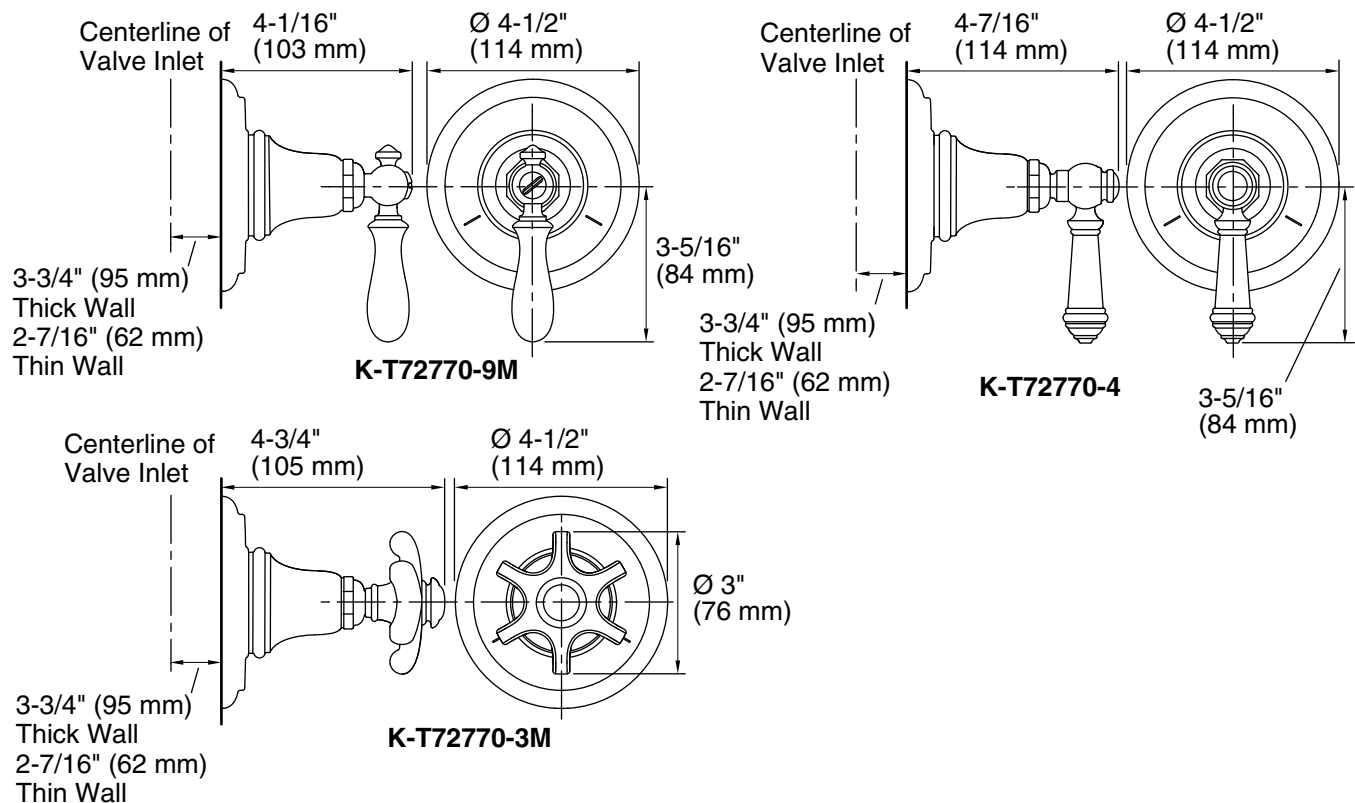
**Product Specification**

Transfer faucet trim shall be made of metal construction. Trim shall include front seal plate assembly and handle assembly. Faucet trim shall be Kohler Model K-T72770-\_\_\_\_ and valving shall be K-\_\_\_\_-\_\_\_\_-NA.

# ARTIFACTS™

## Installation Notes

Install this product according to the installation guide.



## Product Diagram