

### Features

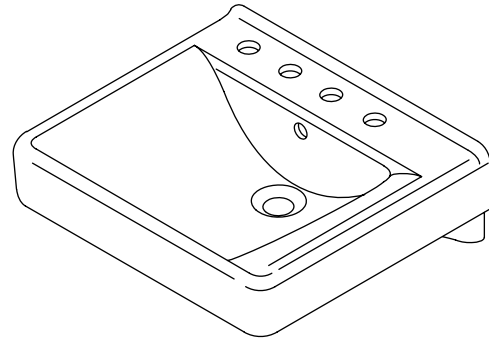
- Vitreous china
- Wall-mount
- With overflow
- Drilled for concealed arm carrier
- Optional soap dispenser hole on left (-L) or right (-R)
- 20" (50.8 cm) x 18" (45.7 cm)
- 8" (20.3 cm) centers

### WALL-MOUNT LAVATORY K-2053

ADA

CSA B651

OBC



### Codes/Standards Applicable

Specified model meets or exceeds the following:

- ADA
- ICC/ANSI A117.1
- CSA B651
- OBC
- ASME A112.19.2/CSA B45.1

### Colors/Finishes

- 0: White
- Other: Refer to Price Book for additional colors/finishes

### Accessories

- CP: Polished Chrome
- Other: Refer to Price Book for additional colors/finishes

### Specified Model

Model	Description	Colors/Finishes	
K-2053	8" (20.3 cm) centers lavatory less soap dispenser hole	<input type="checkbox"/> 0	<input type="checkbox"/> Other_____
K-2053-L	8" (20.3 cm) centers lavatory with soap dispenser hole on left	<input type="checkbox"/> 0	<input type="checkbox"/> Other_____
K-2053-R	8" (20.3 cm) centers lavatory with soap dispenser hole on right	<input type="checkbox"/> 0	<input type="checkbox"/> Other_____
K-2053-N	8" (20.3 cm) centers lavatory less overflow	<input type="checkbox"/> 0	<input type="checkbox"/> Other_____
K-2053-NL	8" (20.3 cm) centers lavatory with soap dispenser hole on left less overflow	<input type="checkbox"/> 0	<input type="checkbox"/> Other_____
K-2053-NR	8" (20.3 cm) centers lavatory with soap dispenser hole on right less overflow	<input type="checkbox"/> 0	<input type="checkbox"/> Other_____
<b>Recommended Accessories</b>			
K-8998	Trap	<input type="checkbox"/> CP	<input type="checkbox"/> Other_____

### Product Specification

Lavatory shall be made of vitreous china. The wall-mount lavatory shall be 20" (50.8 cm) in length, and 18" (45.7 cm) in width. Lavatory shall have 8" (20.3 cm) centers drilling. Lavatory shall have overflow. Lavatory shall be drilled for concealed arm carrier. Lavatory shall have optional soap dispenser hole on left (-L) or right (-R). Lavatory shall be Kohler Model K-2053-\_\_\_\_.

## Technical Information

Fixture*:	
Basin area	18" (45.7 cm) x 13" (33 cm)
Water depth	4-7/8" (12.4 cm)
Drain hole	1-3/4" (4.4 cm) D.
* Approximate measurements for comparison only.	

Spout hole	Faucet hole	Soap dispenser hole
1-3/8" (3.5 cm) D.	1-3/8" (3.5 cm) D.	1-1/4" (3.2 cm) D.

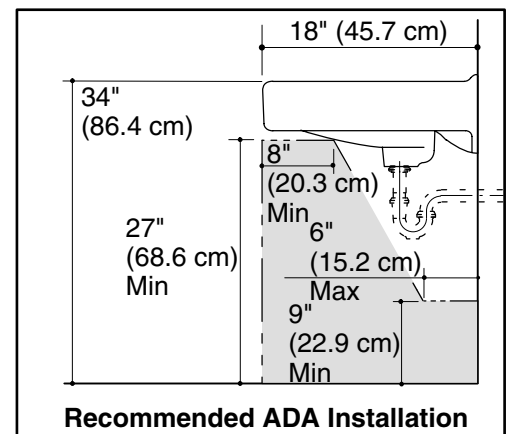
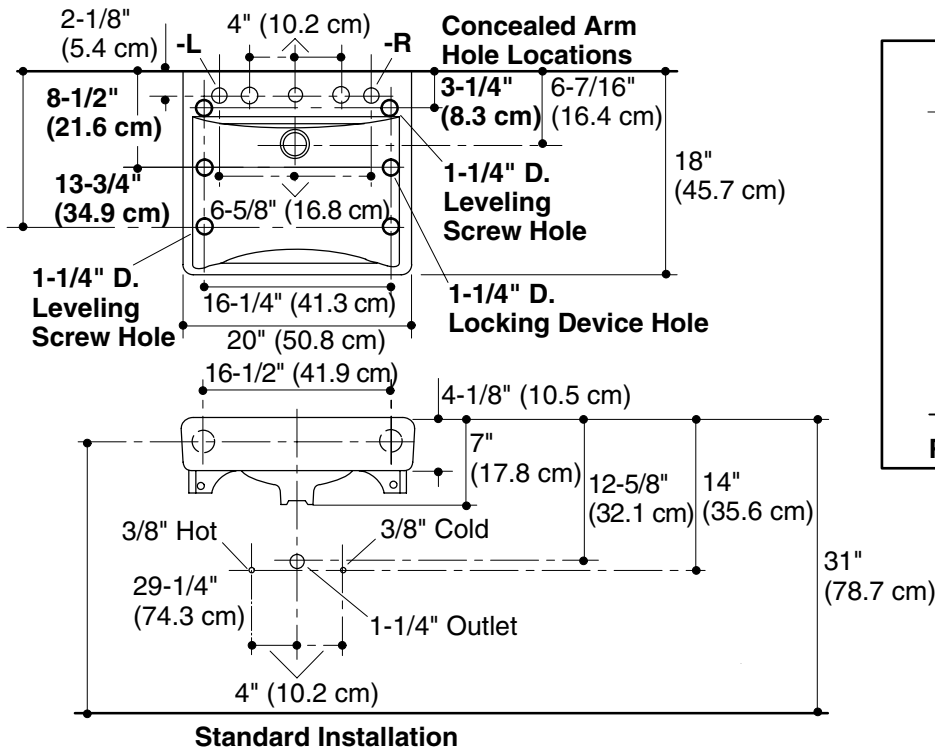
## Installation Notes

Install this product according to the installation guide.

Will comply with **ADA** when installed per Section 606 Lavatories of the Act.

Will comply with **CSA B651** when installed per Clause 4.3.3 of the standard.

Will comply with **OBC** when installed per Clause 3.8.3.11.



## Product Diagram