

**Features**

- Metal construction
- Two quarter-turn washerless ceramic disc valves
- For 8" (20.3 cm) centers
- 360° spout rotation
- Optional aerator kits available
- 13-7/8" (35.2 cm) swing spout reach
- 1.8 gallons (6.8 L) per minute maximum flow rate
- Meets CALGreen requirements for kitchen faucets

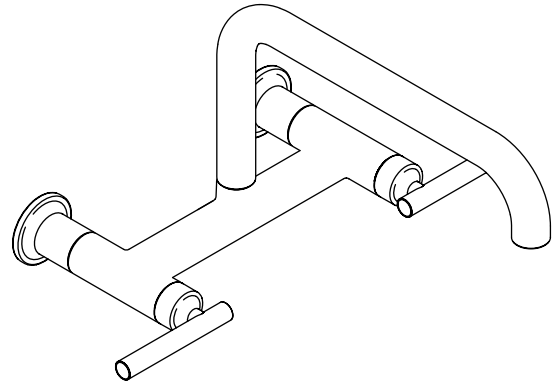
**WALL-MOUNT BRIDGE KITCHEN  
SINK FAUCET  
K-7549**

**ADA**

**Codes/Standards Applicable**

Specified model meets or exceeds the following at date of manufacture:

- ADA
- ICC/ANSI A117.1
- ASME A112.18.1/CSA B125.1
- Energy Policy Act of 1992
- NSF 61
- All applicable US Federal and State material regulations



**Colors/Finishes**

- CP: Polished Chrome
- Other: Refer to Price Book for additional colors/finishes

**Specified Model**

| Model    | Description                           | Colors/Finishes  |
|----------|---------------------------------------|--|
| K-7549-4 | Wall-mount bridge kitchen sink faucet | <input type="checkbox"/> CP <input type="checkbox"/> Other _____ |

| Optional Accessories: |  |                             |
|-----------------------|--|-----------------------------|
| 1089003               | Low flow aerator kit – 1.5 gpm (5.7 lpm) | <input type="checkbox"/> NA |
| 1088956               | Aerator kit – 2.2 gpm (8.3 lpm)          | <input type="checkbox"/> NA |

**Product Specification**

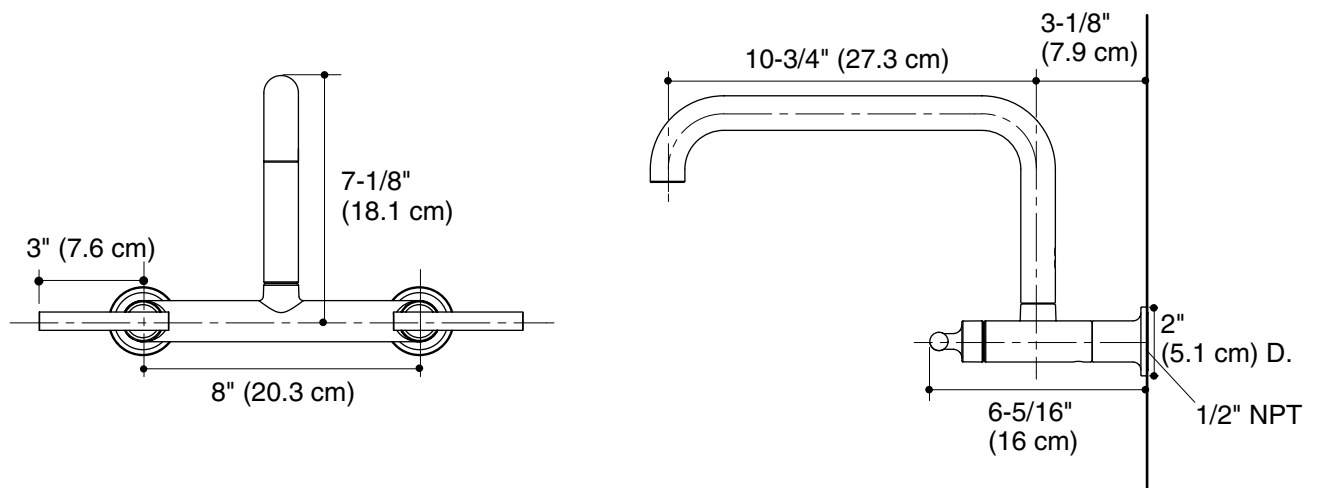
The two-handle wall-mount bridge kitchen sink faucet shall be of metal construction. Product shall have a maximum flow rate of 1.8 gallons (6.8 L) per minute with optional aerator kits available. Product shall feature two quarter-turn washerless ceramic disc valves, a 13-7/8" (35.2 cm) swing spout reach and 360° spout rotation. Faucet shall be for 8" (20.3 cm) centers. Faucet shall meet CALGreen requirements for kitchen faucets. Faucet shall be Kohler Model K-7549-4-\_\_\_\_\_.

# PURIST®

## Installation Notes

Install this product according to the installation guide.

**ADA** compliant when installed to the specific requirements of the regulation.



## Product Diagram