

**P-TRAP  
K-9018**

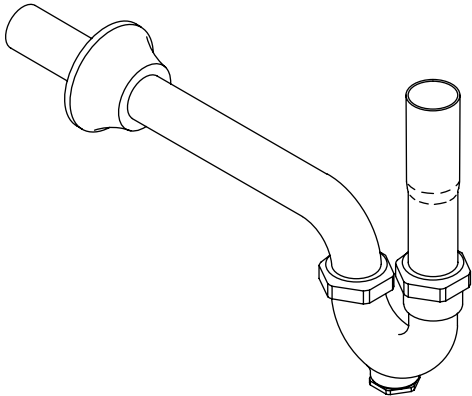
**Features**

- *Intended for console table installations*
- *Adjustable rotation on outlet extension tube*
- *Slip-fit inlet*
- *Cleanout plug*
- *Flange*

**Codes/Standards Applicable**

Specified model meets or exceeds the following:

- *ASME A112.18.2/CSA B125.2*



**Colors/Finishes**

- CP: Polished Chrome
- PB: Vibrant® Polished Brass
- Other: Refer to Price Book for additional colors/finishes

**Specified Model**

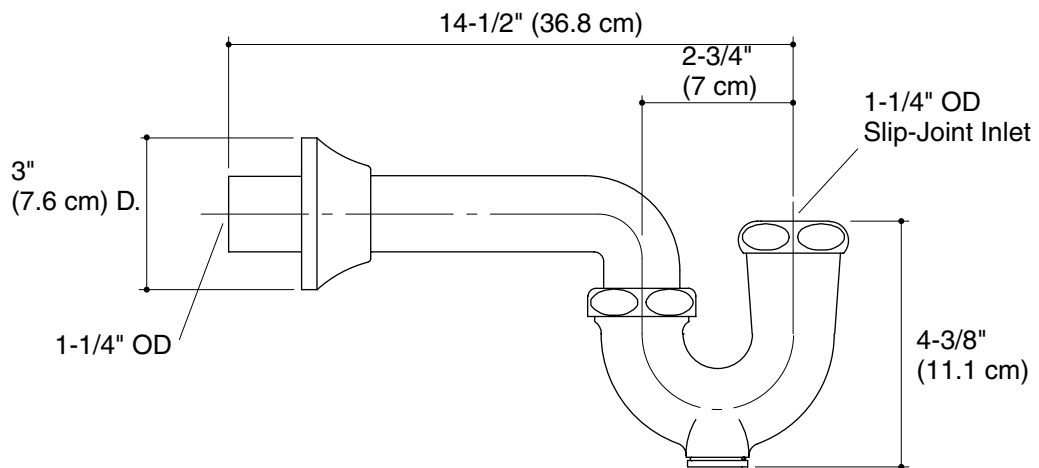
Model	Description	Colors/Finishes		
K-9018	P-Trap	<input type="checkbox"/> CP	<input type="checkbox"/> PB	<input type="checkbox"/> Other _____

**Product Specification**

P-trap is intended for console table installations. Product shall feature an adjustable rotation on outlet extension tube, slip-fit inlet, cleanout plug, and flange. P-trap shall be Kohler Model K-9018-\_\_\_\_\_.

## Installation Notes

Install this product according to the installation guide.



## Product Diagram