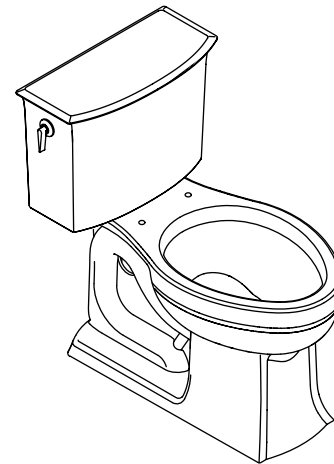


### COMFORT HEIGHT® TOILET K-3551

ADA

#### Features

- Vitreous china
- Elongated bowl
- Class Five® flushing system
- Less seat and supply
- 12" (30.5 cm) rough-in
- 1.28 gpf (4.8 lpf)
- 2-1/8" (5.4 cm) glazed trapway
- 11-1/2" (29.2 cm) x 8-1/2" (21.6 cm) water area
- 29" (73.7 cm) x 17-7/8" (45.4 cm) x 30" (76.2 cm)



#### Codes/Standards Applicable

Specified model meets or exceeds the following:

- ADA
- ASME A112.19.2/CSA B45.1
- ICC/ANSI A117.1

#### Colors/Finishes

- 0: White
- Other: Refer to Price Book for additional colors/finishes

#### Accessories

- 0: White
- CP: Polished Chrome
- PB: Vibrant® Polished Brass
- Other: Refer to Price Book for additional colors/finishes

#### Specified Model

Model	Description	Trip Lever	Colors/Finishes	
K-3551	Comfort Height® toilet	left-hand	<input type="checkbox"/> 0	<input type="checkbox"/> Other_____
<b>Recommended Accessories</b>				
K-4664	Brevia™ seat with cover	<input type="checkbox"/> 0		<input type="checkbox"/> Other_____
K-7637	3/8" NPT angle supply with stop		<input type="checkbox"/> CP	<input type="checkbox"/> PB <input type="checkbox"/> Other_____
<b>Optional Accessories</b>				
K-4650	Lustra™ elongated open-front toilet seat – for ADA compliance	<input type="checkbox"/> 0		<input type="checkbox"/> Other_____
K-11069	Left-hand trip lever (non-CP)		<input type="checkbox"/> PB	<input type="checkbox"/> Other_____

#### Product Specification

The elongated bowl toilet shall be made of vitreous china. Toilet shall be 29" (73.7 cm) in length, 17-7/8" (45.4 cm) in width, and 30" (76.2 cm) in height with a 11-1/2" (29.2 cm) x 8-1/2" (21.6 cm) water area. Toilet shall be 12" (30.5 cm) rough-in, and 2-1/8" (5.4 cm) glazed trapway. Toilet shall feature a flush rate of 1.28 gpf (4.8 lpf) with Class Five® flushing system. Toilet shall be less seat and supply. The toilet shall be Kohler Model K-3551-\_\_\_\_\_.

# ARCHER™

## Technical Information

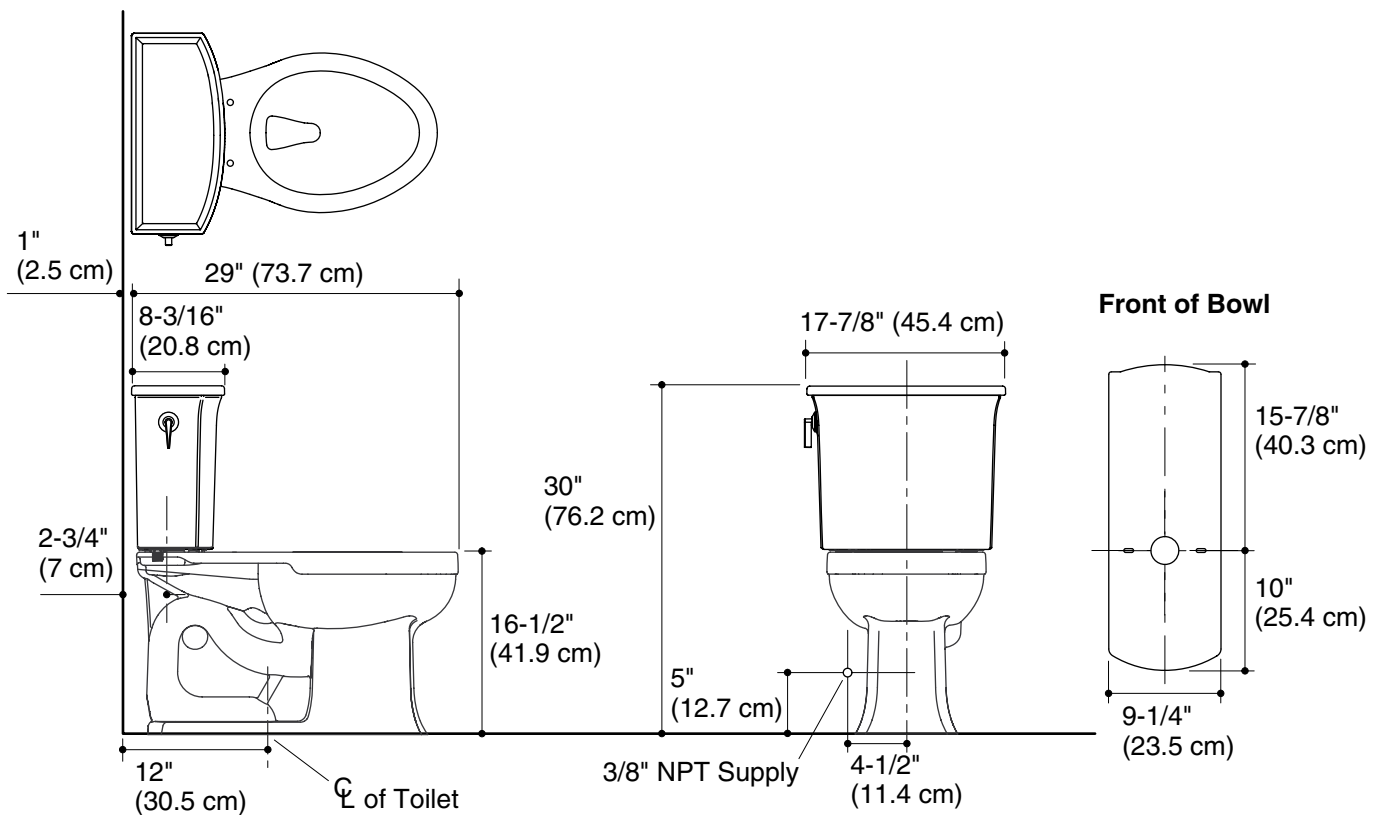
Fixture:	
Configuration	two-piece, elongated
Flow rate	1.28 gpf (4.8 lpf)
Passageway	2-1/8" (5.4 cm)
Water area	11-1/2" (29.2 cm) x 8-1/2" (21.6 cm)
Water depth from rim	6-1/4" (15.9 cm)
Seat post hole centers	5-1/2" (14 cm)

Included components:	
Bowl	K-4356
Tank cover	1046467
Trip lever	1067186
Tank	K-4431
Tank accessory pack	1016548
Bolt cap accessory pack	1013092

## Installation Notes

Install this product according to the installation guide.

Will comply with the American Disabilities Act (ADA) when installed per the requirements of the Accessibility Guidelines, Section 604 Water Closets, of the Act. The Model Plumbing Codes require the installation of elongated open-front toilet seats in public bathrooms.



## Product Diagram