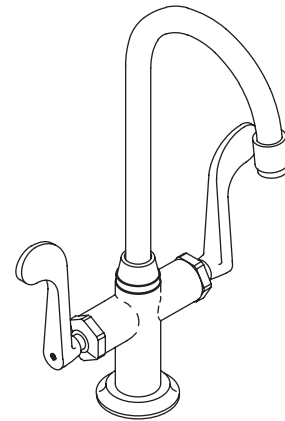


**ENTERTAINMENT SINK FAUCET  
K-8761**

**ADA** **CSA B651** **OBC**

**Features**

- Brass construction
- Brass valve bodies
- Quarter-turn washerless ceramic disc valves
- Wristblade lever handles
- 5-1/2" (14 cm) gooseneck swing spout
- Single-hole mounting
- Lower flow aerator options are available (refer to the Kohler Price Book)
- 2.2 gpm (8.3 lpm) maximum flow rate



**Codes/Standards Applicable**

Specified model meets or exceeds the following at date of manufacture:

- ADA
- ICC/ANSI A117.1
- CSA B651
- OBC
- ASME A112.18.1/CSA B125.1
- NSF 61
- Energy Policy Act of 1992
- All applicable US Federal and State material regulations

**Colors/Finishes**

- CP: Polished Chrome
- Other: Refer to Price Book for additional colors/finishes

**Accessories**

- CP: Polished Chrome
- Other: Refer to Price Book for additional colors/finishes

**Specified Model**

Model	Description	Colors/Finishes	
K-8761	Entertainment sink faucet	<input type="checkbox"/> CP	<input type="checkbox"/> Other ____
<b>Optional Accessories</b>			
K-14511	10-1/2" (26.7 cm) escutcheon plate for three-hole installations	<input type="checkbox"/> CP	<input type="checkbox"/> Other ____
K-14531	6" (15.2 cm) escutcheon plate for three-hole installations	<input type="checkbox"/> CP	<input type="checkbox"/> Other ____

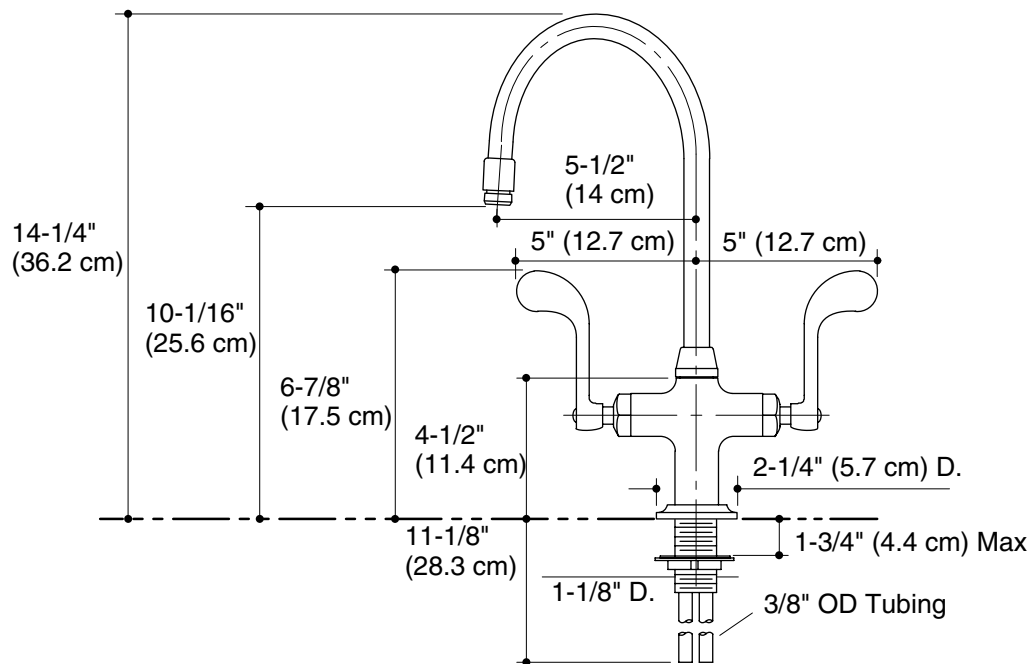
**Product Specification**

The two-handle entertainment sink faucet shall be of brass construction with brass valve bodies. Product shall have a maximum flow rate of 2.2 gallons (8.3 L) per minute with lower flow aerator options available (refer to the Kohler Price Book). Product shall feature quarter-turn washerless ceramic disc valves, assuring positive handle stop positioning. Product shall feature a 5-1/2" (14 cm) gooseneck swing spout reach and wristblade lever handles. Product shall be for single-hole mounting. Faucet shall be Kohler Model K-8761-\_\_\_\_.

## Installation Notes

Install this product according to the installation guide.

**ADA, CSA B651, OBC** compliant when installed to the specific requirements of these regulations.



## Product Diagram