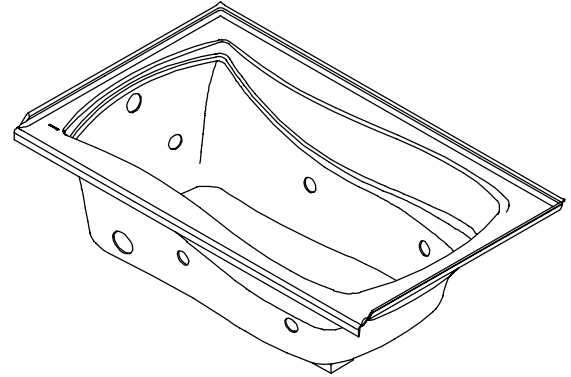


FEATURES

- 60" x 36" x 20"
- Acrylic
- Left or right outlet
- System I - 3/4 hp pump with air switch actuator
- 5 factory-installed color-matched plastic Flexjets
- UL Listed
- Optional K-1278 front apron
- Optional K-1491 removable pillow
- Pump is supplied with a grounding-type plug-in cord



CODES/STANDARDS APPLICABLE

Specified model meets or exceeds the following:

- ANSI Z124.1
- ASME/ANSI A112.19.7M
- IAPMO/UPC
- Underwriters Laboratories (UL)

COLORS/FINISHES

- 0 White
- Other Refer to Fixtures Price Book for additional colors

Accessories:

- CP Polished Chrome
- PB Polished Brass
- Other Refer to Price Book for additional finishes

SPECIFIED MODEL:

Model	Description	Colors/Finishes	
K-1239-L	Whirlpool with left outlet, integral flange	<input type="checkbox"/> 0 White	<input type="checkbox"/> Other_____
K-1239-R	Whirlpool with right outlet, integral flange	<input type="checkbox"/> 0 White	<input type="checkbox"/> Other_____
K-1239	Whirlpool, drop-in rim style	<input type="checkbox"/> 0 White	<input type="checkbox"/> Other_____

Recommended Accessories				
K-7161-AF	Drain	<input type="checkbox"/> CP	<input type="checkbox"/> PB	<input type="checkbox"/> Other_____

Optional Accessories				
K-1278	Apron (removable)	<input type="checkbox"/> 0 White	<input type="checkbox"/> Other_____	
K-1491	Pillow	<input type="checkbox"/> 0 White	<input type="checkbox"/> Other_____	
K-9695	Jet trim kit (metal finishes)	<input type="checkbox"/> CP	<input type="checkbox"/> PB	<input type="checkbox"/> Other_____

PRODUCT SPECIFICATION:

The bath whirlpool shall be 60" in length, 36" in width, and 20" in height. Bath whirlpool shall be made of acrylic. Bath whirlpool shall have System I, 3/4 hp pump with air switch actuator. Bath whirlpool shall have 5 factory-installed color-matched plastic Flexjets. Bath whirlpool shall be UL Listed. Bath whirlpool shall have optional K-1278 front apron. Bath whirlpool shall have optional K-1491 removable pillow. Bath whirlpool pump shall be supplied with a grounding-type plug-in cord. Bath whirlpool shall be Kohler Model K-1239-_____-_____.

MARIPOSA™

REQUIRED ELECTRICAL SERVICE

Dedicated circuit required, protected with Class A Ground-Fault Circuit-Interrupter (GFCI):

Pump/control	120 V., 15 A, 60 Hz
--------------	---------------------

PRODUCT INFORMATION

Fixture*:	basin area	top area	weight
Bathing well	46" x 24"	54" x 27"	105 lbs.
	water depth	capacity	
To overflow	14"	63 gal.	

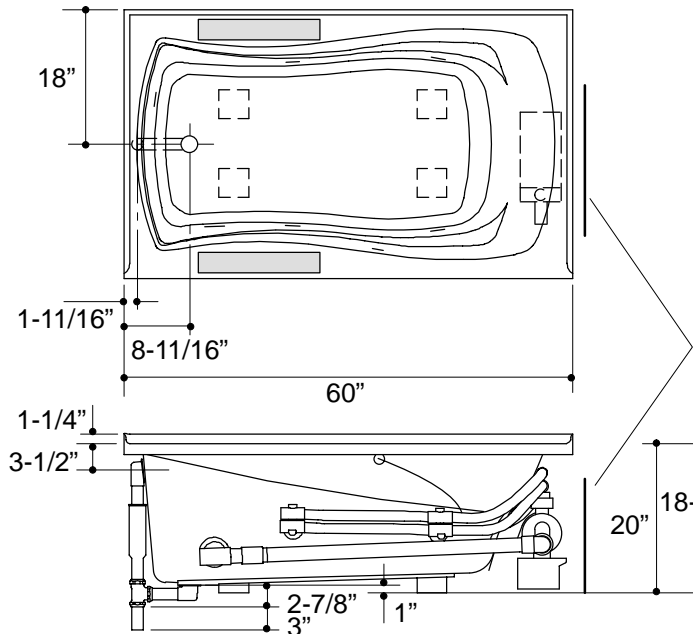
* Approximate measurements for comparison only.

Pump:	HP	V	Hz	A
1-speed	3/4	120	60	10.5

INSTALLATION NOTES

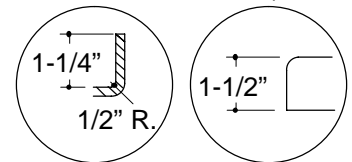
Each pump is supplied with a grounding-type plug-in cord. Locate the outlet behind the whirlpool, and within 24" of the pump.

The apron must be installed before the finish floor and wall materials are installed.



Roughing-In Notes		
No change in measurements if connected with drain illustrated.		
Cut-out	Drop-in rim style, 58" x 34"	
Minimum access panel:		
Pump/control	20" W x 15" H	required
Faucet area		recommended

PUMP/CONTROL ACCESS (IF APRON IS NOT USED)



**INTEGRAL
FLANGE
DETAIL**

**DROP-IN
RIM
DETAIL**

1-1/2" O.D.

1.25>132

PRODUCT DIAGRAM