

### Features

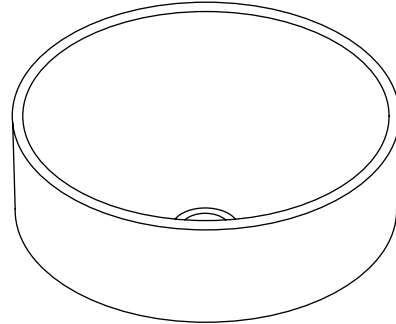
- *Vitreous china*
- *Above-the-counter*
- *With overflow*
- *16-1/2" (41.9 cm) diameter*

### VESSELS LAVATORY K-14800

### Codes/Standards Applicable

Specified model meets or exceeds the following:

- *ASME A112.19.2/CSA B45.1*



### Colors/Finishes

- 0: White

### Specified Model

Model	Description	Colors/Finishes
K-14800	Vessels lavatory	<input type="checkbox"/> 0

### Product Specification

The vessels lavatory shall be made of vitreous china. Lavatory shall be 16-1/2" (41.9 cm) in diameter. Lavatory shall be for above-the-counter installation and with overflow. Lavatory shall be Kohler Model K-14800-0.

# VOX

## Technical Information

Fixture:*	
Basin area	15-1/2" (39.4 cm) D.
Water depth	5-3/4" (14.6 cm)
Drain hole	1-3/4" (4.4 cm) D.
* Approximate measurements for comparison only.	
Included components:	
Cut-out template	1144643-7

## Installation Notes

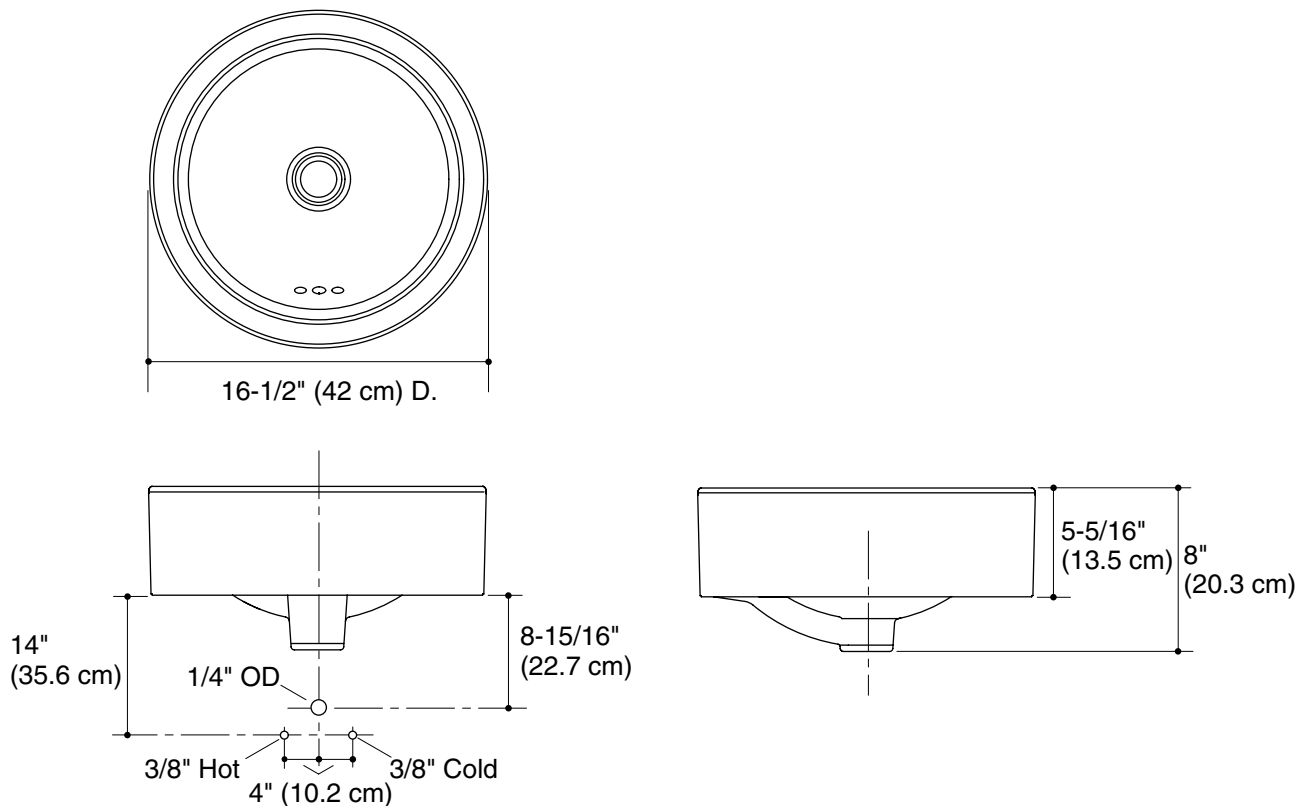
Install this product according to the installation guide.

Choose a faucet that will provide adequate clearance and will direct the water stream to the center of the lavatory.

Spout must be mounted high enough to clear 5-5/16" (13.5 cm) rim height and provide a 1" (2.5 cm) min air gap per ASME A112.1.2.

**NOTICE:** Countertop manufacturer or cutter must use the cut-out template provided with the product, or a current one provided by Kohler (call 1-800-4-KOHLER). Kohler is not responsible for cutout errors when incorrect cut-out template is used.

Product rests on a countertop. Consider height of product when designing installation.



## Product Diagram