

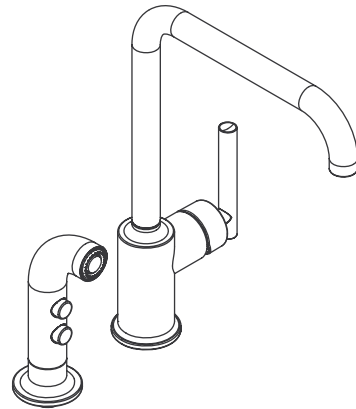
**KITCHEN SINK FAUCET
K-7507**

ALSO K-7508, K-7509, K-7511

ADA

Features

- Metal construction
- One-piece, self-contained ceramic disc valve allows both volume and temperature control
- Temperature memory allows faucet to be turned on and off at any temperature setting
- ADA compliant lever handle
- Flexible connections for easy installation
- Single-hole mounting
- Available with or without matching finish sidespray
- 360° spout rotation with 9-5/8" (24.4 cm) or 7-5/8" (19.4 cm) clearance below the spout
- Available with 8" (20.3 cm) or 6" (15.2 cm) swing spout reach
- 2.2 gallons (8.3 L) per minute maximum flow rate



Codes/Standards Applicable

Specified model meets or exceeds the following at date of manufacture:

- ADA
- ASME A112.18.1/CSA B125.1
- ICC/ANSI A117.1
- Energy Policy Act of 1992
- NSF 61
- All applicable US Federal and State material regulations

Colors/Finishes

- CP: Polished Chrome
- Other: Refer to Price Book for additional colors/finishes

Accessories

- NA: None applicable

Specified Model

Model	Description	Colors/Finishes	
K-7507	Kitchen sink faucet – 8" (20.3 cm) swing spout reach, without sidespray	<input type="checkbox"/> CP	<input type="checkbox"/> Other _____
K-7508	Kitchen sink faucet – 8" (20.3 cm) swing spout reach, with sidespray (shown)	<input type="checkbox"/> CP	<input type="checkbox"/> Other _____
K-7509	Kitchen sink faucet – 6" (15.2 cm) swing spout reach, without sidespray	<input type="checkbox"/> CP	<input type="checkbox"/> Other _____
K-7511	Kitchen sink faucet – 6" (15.2 cm) swing spout reach, with sidespray	<input type="checkbox"/> CP	<input type="checkbox"/> Other _____

Optional Accessories		
1030920	Sidespray deep rough-in kit	<input type="checkbox"/> NA
1148076	Low flow aerator kit – 1.5 gpm (5.7 lpm)	<input type="checkbox"/> NA

Product Specification

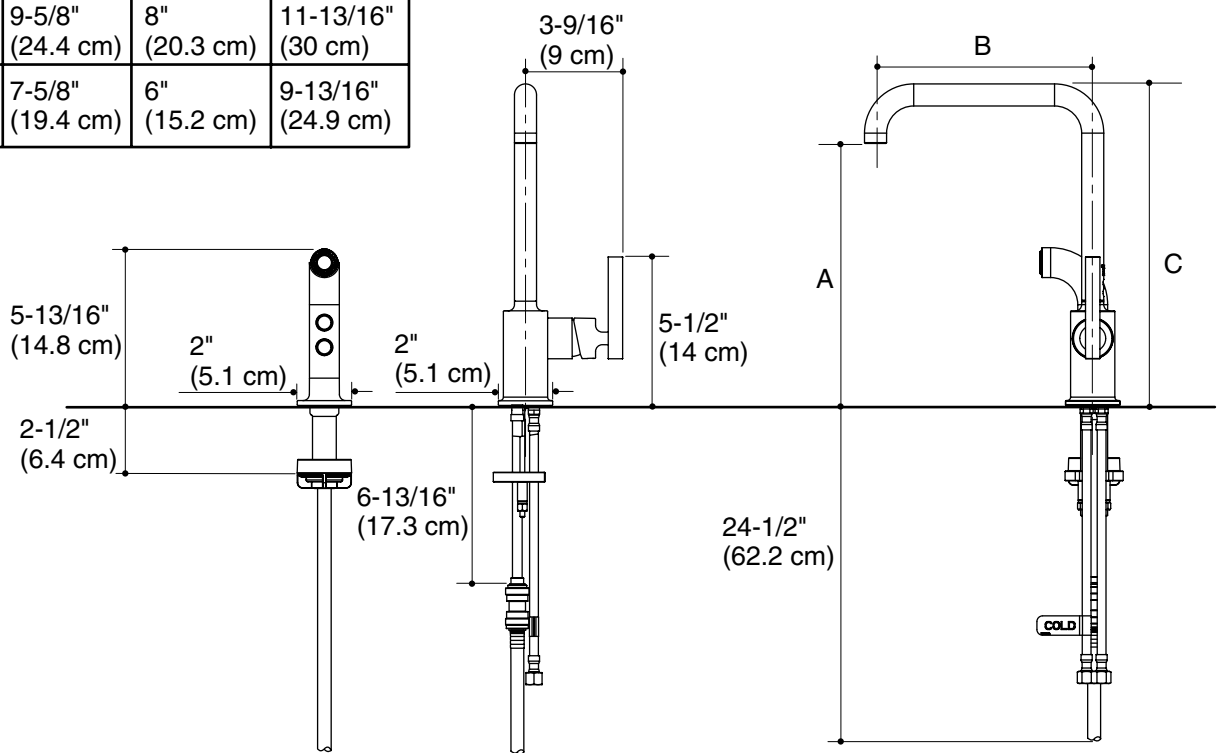
The kitchen sink faucet shall be made of metal construction. Product shall feature a 2.2 gallon (8.3 L) per minute maximum flow rate. Product shall feature a one-piece, self-contained ceramic disc valve, which allows both volume and temperature control. Product shall feature temperature memory, allowing the faucet to be turned on and off at any temperature setting. Product shall feature an ADA compliant lever handle, 360° spout rotation with 9-5/8" (24.4 cm) or 7-5/8" (19.4 cm) clearance below the spout, and flexible connections for easy installation. Product shall be available with a 8" (20.3 cm) or 6" (15.2 cm) swing spout reach. Product shall be available with or without matching finish sidespray. Product shall be for single-hole mounting. Kitchen faucet shall be Kohler Model K-____-____.

PURIST®

Installation Notes

Install this product according to the installation guide.

Model	A	B	C
K-7507 K-7508	9-5/8" (24.4 cm)	8" (20.3 cm)	11-13/16" (30 cm)
K-7509 K-7511	7-5/8" (19.4 cm)	6" (15.2 cm)	9-13/16" (24.9 cm)



Product Diagram