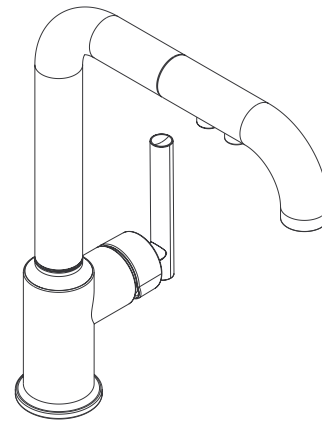


**PULL-OUT KITCHEN SINK FAUCET
K-7505
ALSO K-7506**

ADA

Features

- Metal construction
- One-piece, self-contained ceramic disc valve allows both volume and temperature control
- Temperature memory allows faucet to be turned on and off at any temperature setting
- Promotion™ technology with nylon hose and ball joint for easy operation
- ADA compliant lever handle
- Contemporary styling
- Three-function sprayhead with spray, laminar flow, and pause settings
- 360° spout rotation
- 8" (20.3 cm) or 7" (17.8 cm) spout reach
- 2.2 gallons (8.3 L) per minute maximum flow rate



Codes/Standards Applicable

Specified model meets or exceeds the following at date of manufacture:

- ADA
- ASME A112.18.1/CSA B125.1
- ICC/ANSI A117.1
- Energy Policy Act of 1992
- NSF 61
- All applicable US Federal and State material regulations

Colors/Finishes

- CP: Polished Chrome
- Other: Refer to Price Book for additional colors/finishes

Accessories

- NA: None applicable

Specified Model

Model	Description	Colors/Finishes	
K-7505	Pull-out kitchen sink faucet – 8" (20.3 cm) spout reach	<input type="checkbox"/> CP	<input type="checkbox"/> Other _____
K-7506	Pull-out kitchen sink faucet – 7" (17.8 cm) spout reach	<input type="checkbox"/> CP	<input type="checkbox"/> Other _____

Optional Accessories		
1012715	Deep rough-in kit	<input type="checkbox"/> NA
1055715	Low flow kit – 1.59 gpm (6.0 lpm)	<input type="checkbox"/> NA

Product Specification

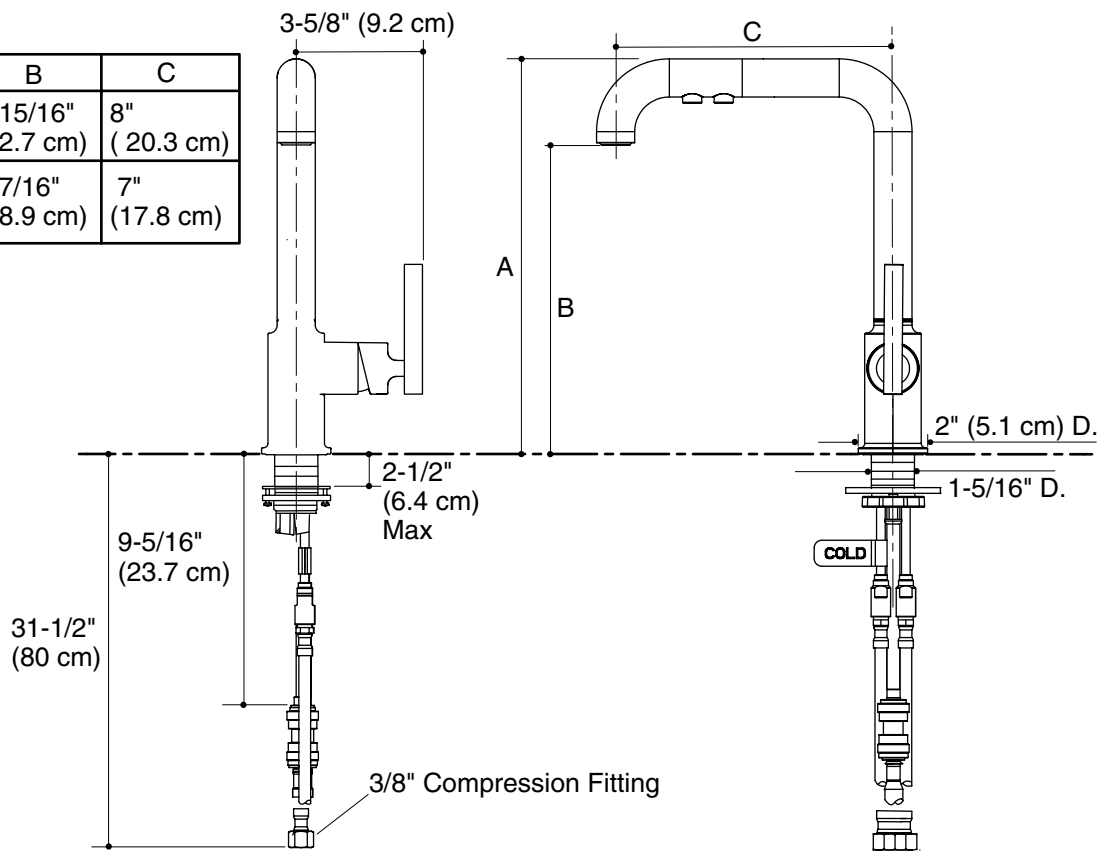
The contemporary pull-out kitchen sink faucet shall be of metal construction. Product shall have a maximum flow rate of 2.2 gallons (8.3 L) per minute with lower flow aerator options available (refer to the Kohler Price Book). Product shall feature a one-piece, self-contained ceramic disc valve, allowing volume and temperature control. Product shall feature temperature memory, allowing the faucet to be turned on and off at any temperature setting. Product shall feature a 360° spout rotation. Product shall feature a three-function sprayhead with spray, laminar flow, and pause settings. Product shall feature Promotion technology with nylon hose and ball joint for easy operation and an ADA compliant lever handle. Product shall be available with a 8" (20.3 cm) or 7" (17.8 cm) spout reach. Pull-out kitchen faucet shall be Kohler Model K-_____ -_____.

PURIST®

Installation Notes

Install this product according to the installation guide.

Model	A	B	C
K-7505	11-3/8" (28.9 cm)	8-15/16" (22.7 cm)	8" (20.3 cm)
K-7506	9-7/8" (25.1 cm)	7-7/16" (18.9 cm)	7" (17.8 cm)



Product Diagram