

Features

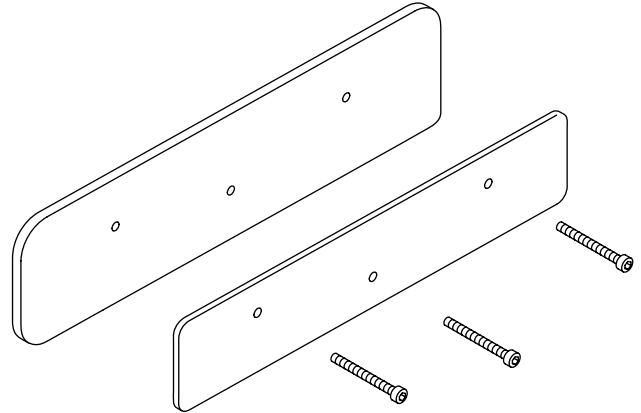
- Assists in performing a pressure test on drain, waste, and vent (DWV) systems and water supply lines
- Includes seal, plate, and cap screws
- Intended for use with K-7271 and K-7272 slotted overflow bath drains

Codes/Standards Applicable

Specified model meets or exceeds the following:

- None applicable

**SLOTTED OVERFLOW SEAL TEST
KIT
K-7117**



Colors/Finishes

- NA: None applicable

Specified Model

Model	Description	Colors/Finishes
K-7117	Slotted overflow seal test kit	<input type="checkbox"/> NA

Product Specification

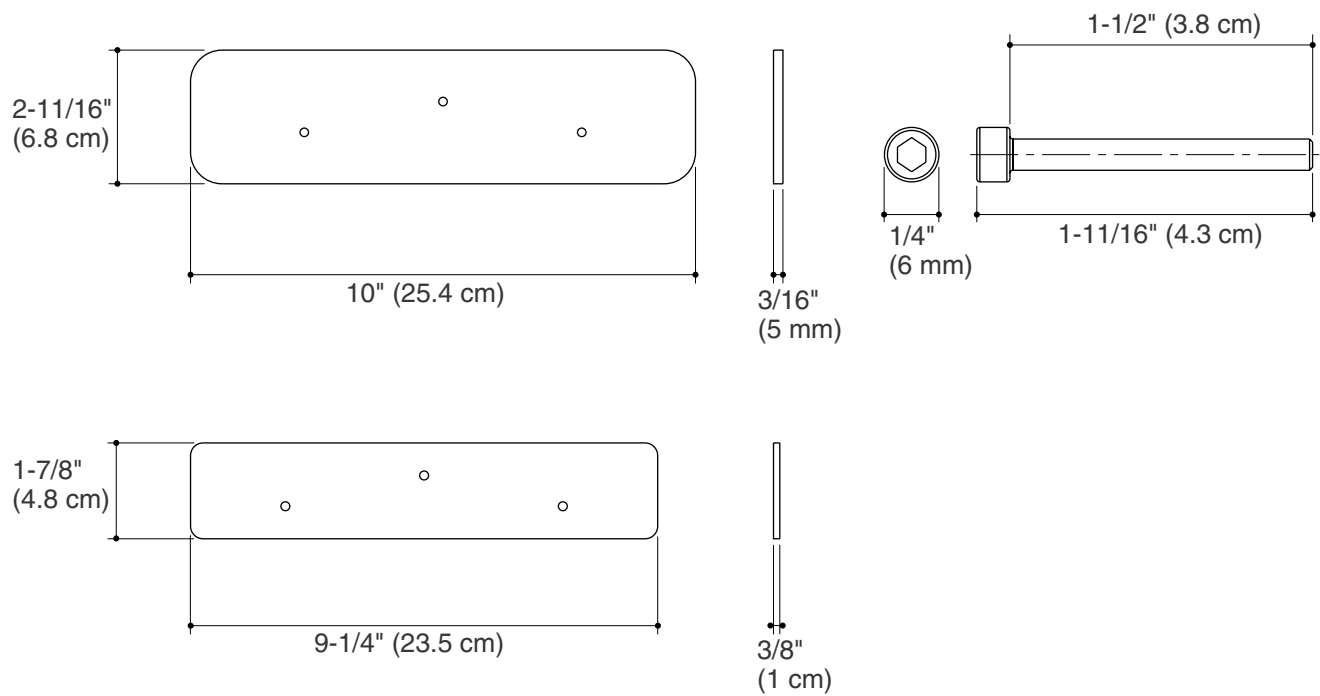
The slotted overflow seal test kit shall assist in performing a pressure test on drain, waste, and vent (DWV) systems and water supply lines. Product shall include a seal, a plate, and cap screws. Product is intended for use with K-7271 and K-7272 slotted overflow bath drains. Slotted overflow seal test kit shall be Kohler Model K-7117-NA.

Installation Notes

Install this product according to the installation guide.

Pressurize drain, water, and vent (DWV) systems and water supply lines according to local codes.

Perform the pressure test **before** covering the new plumbing with finished wall material.



Product Diagram