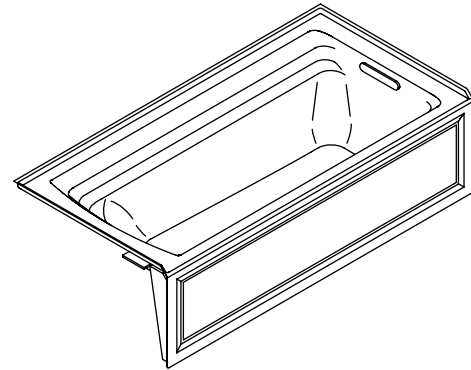


Features

- Acrylic
- Left or right drain
- Integral apron
- Integral tile flange
- Slotted overflow for maximum bathing depth
- Low threshold height
- Integral lumbar support
- Armrests
- 72" (182.9 cm) x 36" (91.4 cm) x 19" (48.3 cm)

6' (1.8 cm) BATH WITH INTEGRAL APRON

K-1125-LA
ALSO K-1125-RA



Codes/Standards Applicable

Specified model meets or exceeds the following:

- ADA
- ANSI Z124.1.2
- CSA B45
- ICC/ANSI A117.1
- ASTM E162
- ASTM E662

Colors/Finishes

- 0: White
- Other: Refer to Price Book for additional colors/finishes

Accessories:

- 0: White
- CP: Polished Chrome
- Other: Refer to Price Book for additional colors/finishes

Specified Model

Model	Description	Colors/Finishes	
K-1125-LA	Bath with integral apron, left drain	<input type="checkbox"/> 0	<input type="checkbox"/> Other_____
K-1125-RA	Bath with integral apron, right drain	<input type="checkbox"/> 0	<input type="checkbox"/> Other_____

Required Accessories

K-7271	Clearflo slotted overflow brass bath drain OR	<input type="checkbox"/> CP	<input type="checkbox"/> Other_____
K-7272	Clearflo slotted overflow bath drain – PVC pipe	<input type="checkbox"/> CP	<input type="checkbox"/> Other_____

Optional Accessories

K-9529	Removable bath seat	<input type="checkbox"/> 0
--------	---------------------	----------------------------

Product Specification:

The acrylic bath with integral apron shall be 72" (182.9 cm) in length, 36" (91.4 cm) in width, and 19" (48.3 cm) in height. Bath shall have left or right drain. Bath shall have slotted overflow for maximum bathing depth, low threshold height, and integral lumbar support. Bath shall have integral apron and integral tile flange. Bath shall have armrests. Bath shall be Kohler Model K-1125-_____-_____.

ARCHER™

Technical Information

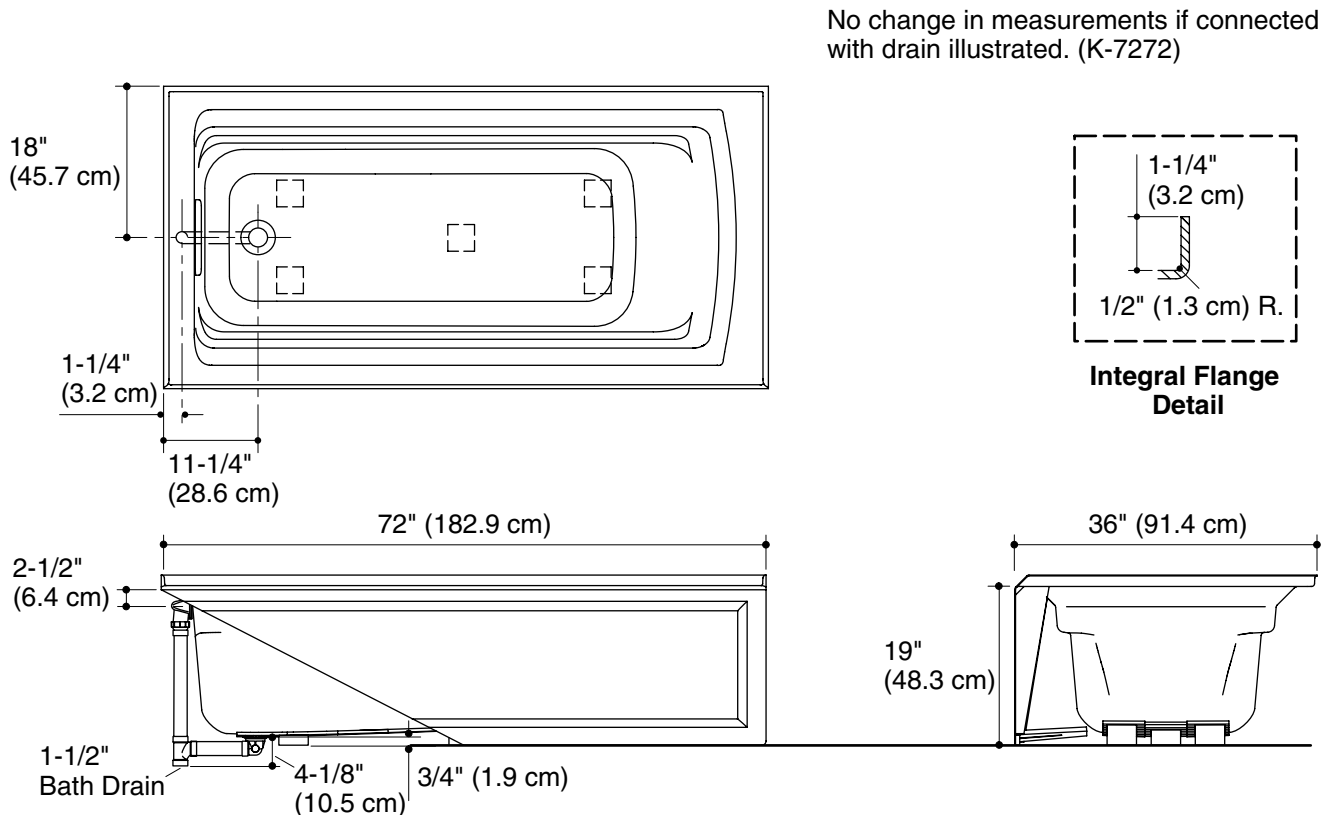
Fixture*:	
Bathing well	
Basin area bottom	51-3/8" (130.4 cm) x 21" (53.3 cm)
Basin area top	64-1/2" (163.8 cm) x 30-1/2" (77.5 cm)
Weight	80 lbs (36.3 kg)
To overflow	
Water depth	15" (38.1 cm)
Capacity	72 gal (273 L)
* Approximate measurements for comparison only.	

Installation Notes

Install this product according to the installation guide.

Floor support under this product must provide for a minimum of 40 lbs/square foot (192 kg/square meter) loading.

The hot water supply should be 70% of the capacity of the bath or greater. Installations will vary.



Product Diagram

ARCHER™ 6' (1.8 cm) BATH WITH INTEGRAL APRON

Page 2 of 2
1071363-4-C

THE BOLD LOOK
OF **KOHLER**®