

Features

- KOHLER cast iron
- Undercounter
- With overflow
- 21" (53.3 cm) x 16" (40.6 cm)

UNDERCOUNTER LAVATORY K-2838

ADA

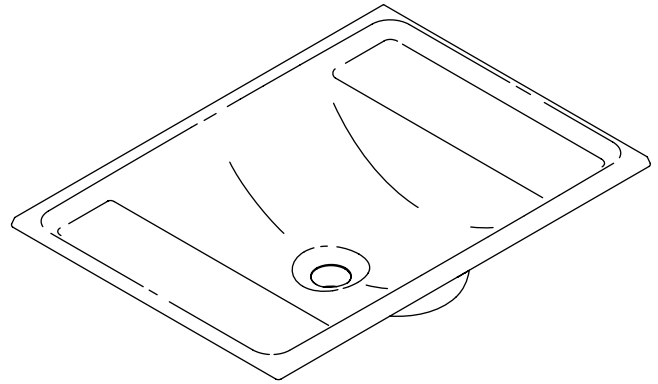
CSA B651

OBC

Codes/Standards Applicable

Specified model meets or exceeds the following:

- ADA
- ICC/ANSI A117.1
- CSA B651
- OBC
- ASME A112.19.1/CSA B45.2



Colors/Finishes

- 0: White
- Other: Refer to Price Book for additional colors/finishes

Accessories

- CP: Polished Chrome
- Other: Refer to Price Book for additional colors/finishes

Specified Model

Model	Description	Colors/Finishes	
K-2838	Cast iron lavatory	<input type="checkbox"/> 0	<input type="checkbox"/> Other_____
Recommended Accessories			
K-8998	P-Trap	<input type="checkbox"/> CP	<input type="checkbox"/> Other_____

Product Specification

The undercounter lavatory shall be made of cast iron. Lavatory shall be 21" (53.3 cm) in length and 16" (40.6 cm) in width. Lavatory shall be with overflow. Lavatory shall be Kohler Model K-2838-_____.

LEDGES®

Technical Information

Fixture*:	
Basin area	21" (53.3 cm) x 14-5/8" (37.1 cm)
Water depth	3-1/4" (8.3 cm)
Drain	1-11/16" (4.3 cm) D.
* Approximate measurements for comparison only.	

Included components:	
Overflow ferrule (1)	84896
Basin clamp assembly	52047
Cut-out template	1070407-7

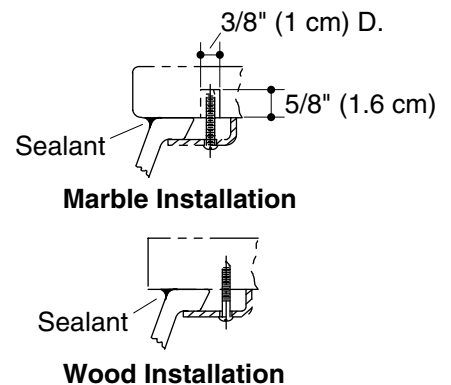
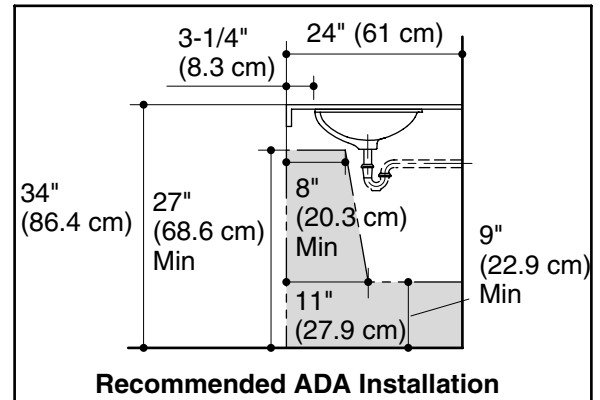
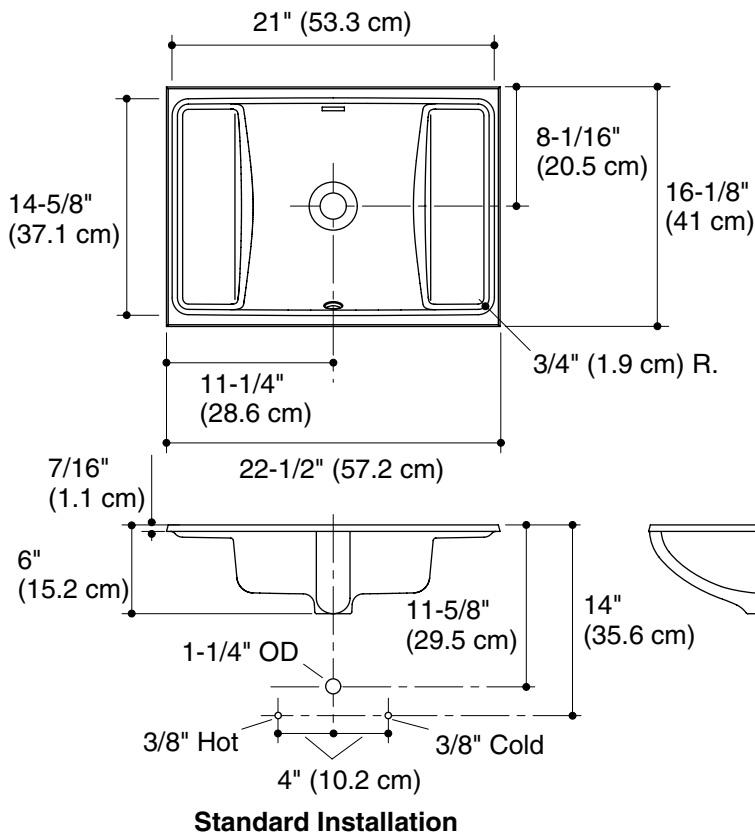
Installation Notes

Install this product according to the installation guide.

Will comply with **ADA** when installed per Section 606 Lavatories of the Act.

Will comply with **CSA B651** when installed per Clause 4.3.3 of the standard.

Will comply with **OBC** when installed per Clause 3.8.3.11.



Product Diagram