

**Features**

- Brass construction
- Available with cross or lever handles
- Front seal plate assembly
- Complements Pinstripe® Suite
- Intended for use with Kohler valves

**THERMOSTATIC FAUCET TRIM**

**K-T13173**

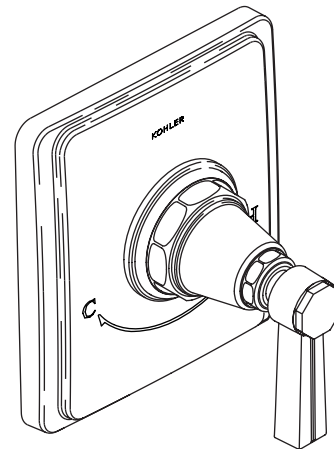
**ALSO K-T13174, K-T13175**

**ADA**

**Codes/Standards Applicable**

Specified model meets or exceeds the following:

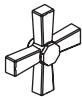
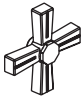


- ADA
- ASME A112.18.1/CSA B125.1
- ICC/ANSI A117.1



**Colors/Finishes**

- CP: Polished Chrome
- Other: Refer to Price Book for additional colors/finishes

**Specified Model**

Model	Description				Colors/Finishes	
	 ADA	 ADA	 ADA	 ADA		
K-T13173-*	Plain cross handles (3A)	Grooved cross handles (3B)	Plain lever handles (4A)	Grooved lever handles (4B)	<input type="checkbox"/> CP	<input type="checkbox"/> Other _____
K-T13174-*	Thermostatic trim				<input type="checkbox"/> CP	<input type="checkbox"/> Other _____
K-T13175-*	Volume control trim				<input type="checkbox"/> CP	<input type="checkbox"/> Other _____
	Transfer valve trim				<input type="checkbox"/> CP	<input type="checkbox"/> Other _____

\* Handle type must be specified when ordering.

Required Valve		
K-669-KS	3/4" thermostatic valve	<input type="checkbox"/> NA
K-671-K	3/4" volume control valve	<input type="checkbox"/> NA
K-679-KS	1/2" thermostatic valve	<input type="checkbox"/> NA
K-681-K	1/2" volume control valve	<input type="checkbox"/> NA
K-728-K	3/4" transfer valve	<input type="checkbox"/> NA

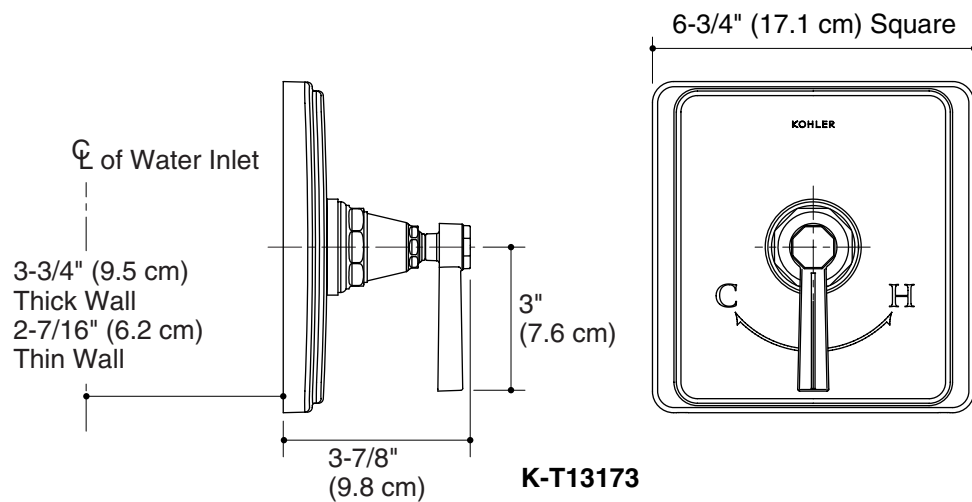
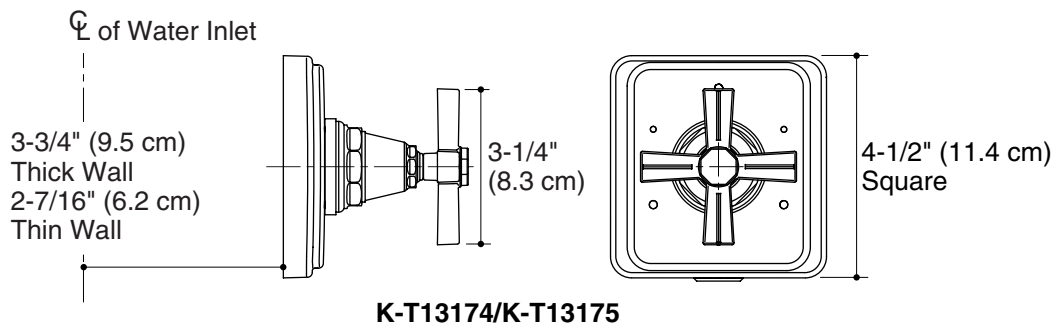
**Product Specification**

Thermostatic faucet trim shall be of brass construction. Trim shall include front seal plate assembly. Product shall be available with cross or lever handle. Trim shall complement the Pinstripe Suite. Faucet trim shall be Kohler Model K-T\_\_\_\_-\_\_\_\_-\_\_\_\_ and required valving shall be K-\_\_\_\_-\_\_\_\_-NA.

# PINSTRIPE™

## Installation Notes

Install this product according to the installation guide.



## Product Diagram