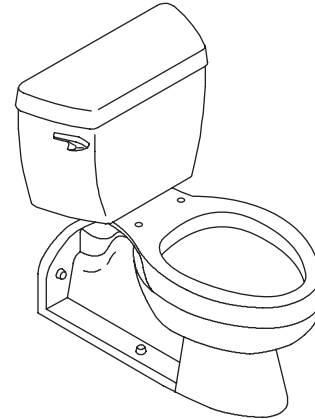


PRESSURE LITE® TOILET K-3554

Features

- Vitreous china
- Equipped with Sloan FLUSHMATE® – Sloan® Valve Company
- 1.4 gpf (5.3 lpf)
- Polished chrome trip lever
- Less seat and supply
- With tank cover locks (-T)
- With right-hand trip lever (-RA)
- Elongated bowl
- Rear outlet
- 4" (10.2 cm) rough-in
- 12" (30.5 cm) x 10" (25.4 cm) water area
- 29-1/2" (74.9 cm) x 21-1/4" (54 cm) x 29-1/4" (74.3 cm)



Codes/Standards Applicable

Specified model meets or exceeds the following:

- ASME A112.19.2/CSA B45.1
- Energy Policy Act of 1992

Colors/Finishes

- 0: White
- Other: Refer to Price Book for additional colors/finishes

Accessories

- 0: White
- PB: Vibrant® Polished Brass
- Other: Refer to Price Book for additional colors/finishes

Specified Model

Model	Description	Colors/Finishes	
K-3554	Elongated bowl toilet, left-hand trip lever	<input type="checkbox"/> 0	<input type="checkbox"/> Other_____
K-3554-RA	Elongated bowl toilet, right-hand trip lever	<input type="checkbox"/> 0	<input type="checkbox"/> Other_____
K-3554-T	Toilet with tank cover locks, left-hand trip lever	<input type="checkbox"/> 0	<input type="checkbox"/> Other_____

Recommended Accessories

K-4652	Lustra™ seat with cover	<input type="checkbox"/> 0	<input type="checkbox"/> Other_____
K-4652-A	Lustra™ seat with cover, anti-microbial agent	<input type="checkbox"/> 0	
K-7637	Angle supply with stop	<input type="checkbox"/> PB	<input type="checkbox"/> Other_____

Optional Accessories

K-9481-L	Trip-lever, left-hand (non-CP)	<input type="checkbox"/> PB	<input type="checkbox"/> Other_____
K-9481-R	Trip-lever, right-hand (non-CP)	<input type="checkbox"/> PB	

Product Specification:

The elongated combination toilet less seat and supply shall be made of vitreous china. The toilet shall be 4" (10.2 cm) rough-in and equipped with a Sloan Flushmate® - Sloan Valve Company. Toilet shall have a 12" (30.5 cm) x 10" (25.4 cm) water area, use 1.4 gpf (5.3 lpf), and have a rear outlet. Toilet shall include a polished chrome trip lever. Toilet shall have a right-hand trip lever (-RA), or left-hand trip lever, or tank cover locks (-T) as specified by model options. Toilet shall be 29-1/2" (74.9 cm) in length by 21-1/4" (54 cm) in width by 29-1/4" (74.3 cm) in height. Toilet shall be Kohler Model K-3554-_____-_____.

BARRINGTON™

Technical Information

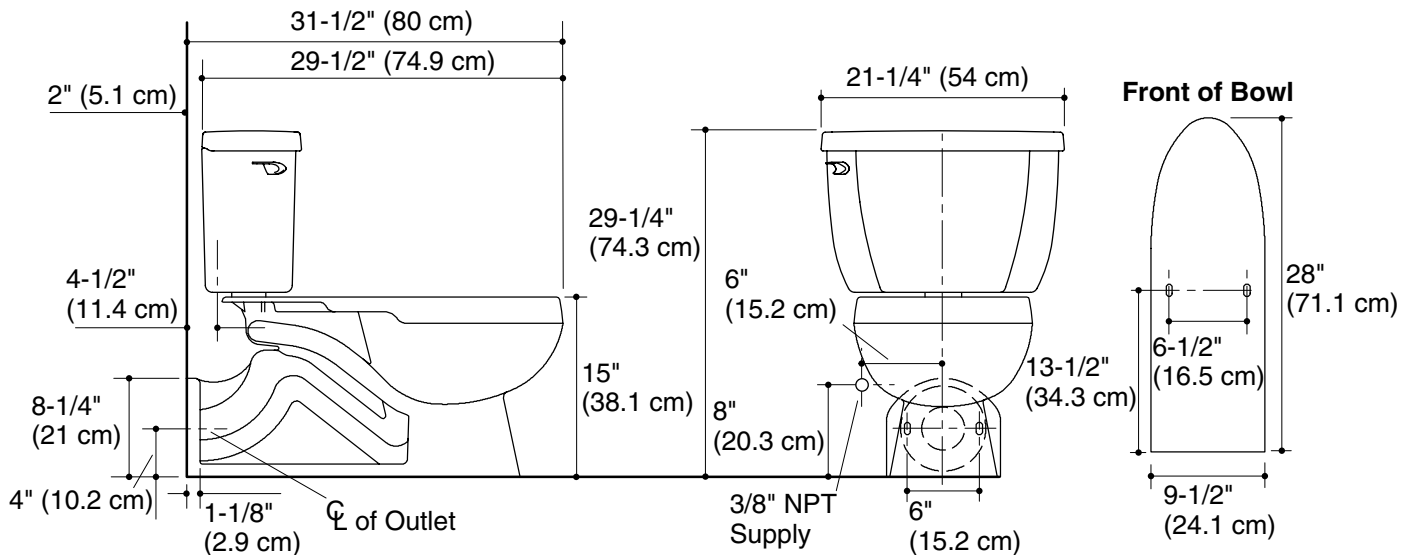
Fixture:	
Configuration	2-piece, elongated
Water per flush	1.4 gallons (5.3 L)
Passageway	2-1/4" (5.7 cm)
Water area	12" (30.5 cm) x 10" (25.4 cm)
Water depth from rim	7" (17.8 cm)
Seat post hole centers	5-1/2" (14 cm)
Minimum static pressure required	20 psi (137.9 kPa)
Maximum static pressure	80 psi (551.6 kPa)

Included Components*:	
Bowl	K-4327
Tank	K-4645
Tank cover	1036375
Floor screws and bolt caps	52049
Bolt cap accessory pack	52048
Tank accessory pack	73062
Trip lever, left-hand	K-9481-L
Trip lever, right-hand	K-9481-R

*Equipped with Sloan Flushmate® – Sloan Valve Company.

Installation Notes

Install this product according to the installation guide.



Product Diagram

BARRINGTON™ PRESSURE LITE® TOILET

Page 2 of 2
1050803-4-C

THE BOLD LOOK
OF **KOHLER**®