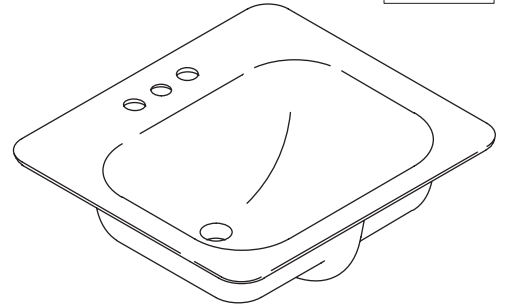


### Features

- KOHLER cast iron
- Metal frame mounting
- With overflow
- 4" (10.2 cm) centers
- 20" (50.8 cm) x 18" (45.7 cm)

### COUNTERTOP LAVATORY K-2890-4

ADA



### Codes/Standards Applicable

Specified model meets or exceeds the following:

- ADA
- ASME A112.19.1
- ICC/ANSI A117.1
- CSA B45

### Colors/Finishes

- 0: White
- Other: Refer to Price Book for additional colors/finishes

### Accessories

- CP: Polished Chrome
- NA: None applicable

### Specified Model

Model	Description	Colors/Finishes	
K-2890-4	Countertop lavatory with 4" (10.2 cm) centers	<input type="checkbox"/> 0	<input type="checkbox"/> Other _____
<b>Required Accessories</b>			
K-6688	Metal frame	<input type="checkbox"/> NA	
<b>Recommended Accessories</b>			
K-8998	P-Trap	<input type="checkbox"/> CP	

### Product Specification

The countertop lavatory shall be made of cast iron. Lavatory shall be used for mounting with metal frame (K-6688). Lavatory shall have 4" (10.2 cm) centers. Lavatory shall have overflow. Lavatory shall be 20" (50.8 cm) in length, and 18" (45.7 cm) in width. Lavatory shall be Kohler Model K-2890-4-\_\_\_\_\_-\_\_\_\_\_.

# TAHOE™

## Technical Information

Fixture*:	
Basin area	16" (40.6 cm) x 12" (30.5 cm)
Water depth	5" (12.7 cm)
Drain hole	1-11/16" (4.3 cm) D.
* Approximate measurements for comparison only.	

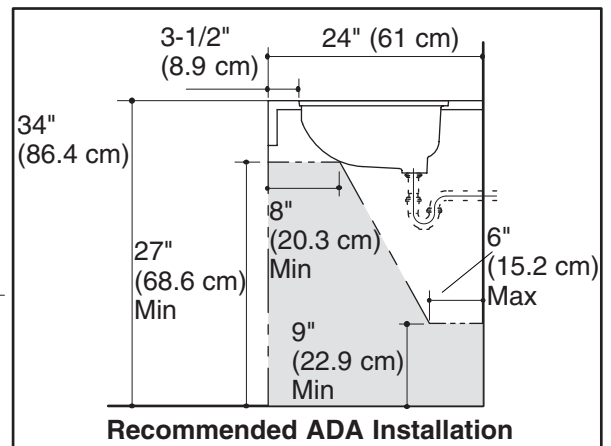
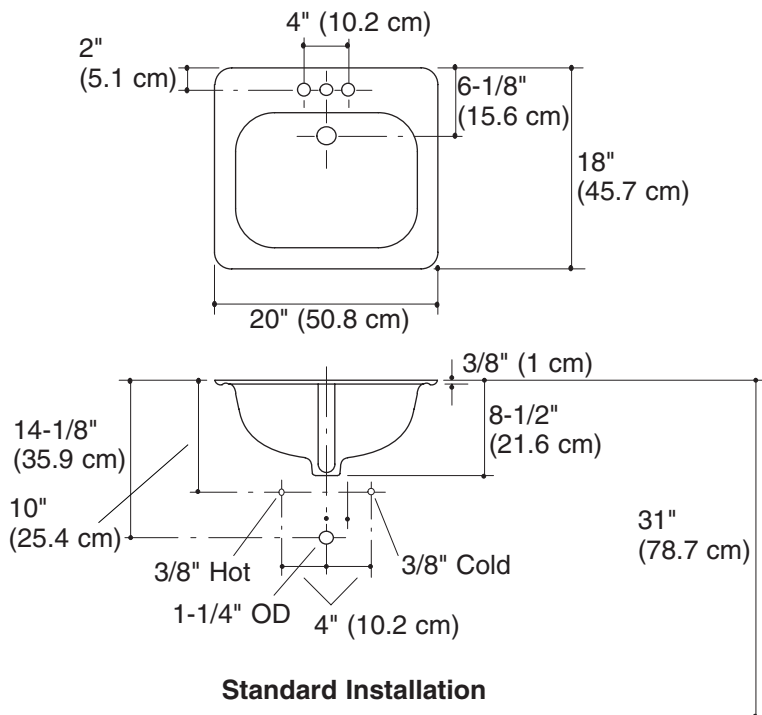
Spout hole	1-1/8" (2.9 cm) D.	
Faucet holes	1-3/16" (3 cm) D.	

Included components:	
Overflow ferrule	84896

## Installation Notes

Install this product according to the installation guide.

A metal frame is required for installation.



## Product Diagram