

### Features

- KOHLER cast iron
- Wall-mount
- With overflow
- Lugs for chair carrier
- 8" (203 mm) centers, 4" (102 mm) centers, or single hole
- 20" (508 mm) x 18" (457 mm)

### WALL-MOUNT BATHROOM SINK

# K-2812

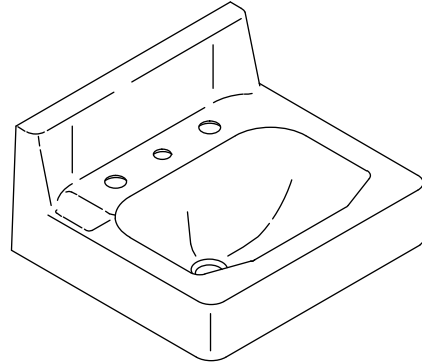
## ALSO K-2867, K-2868

ADA

### Codes/Standards Applicable

Specified model meets or exceeds the following:

- ADA
- ICC/ANSI A117.1
- ASME A112.19.1/CSA B45.2



### Colors/Finishes

- 0: White

#### Accessories:

- CP: Polished Chrome

### Specified Model

Model	Description	Colors/Finishes
K-2812	Bathroom sink with single hole	<input type="checkbox"/> 0
K-2867	Bathroom sink with 4" (102 mm) centers	<input type="checkbox"/> 0
K-2868	Bathroom sink with 8" (203 mm) centers	<input type="checkbox"/> 0
<b>Recommended Accessories</b>		
K-8998	P-Trap	<input type="checkbox"/> CP

### Product Specification

The wall-mount bathroom sink with back shall be 20" (508 mm) in length and 18" (457 mm) in width. Bathroom sink shall be made of cast iron. Bathroom sink shall have 8" (203 mm) centers (K-2686), 4" (102 mm) centers (K-2867), or single hole (K-2812). Bathroom sink shall have overflow. Bathroom sink shall have lugs for chair carrier. Bathroom sink shall be Kohler Model K-\_\_\_\_\_-\_\_\_\_\_-\_\_\_\_\_-.

## Technical Information

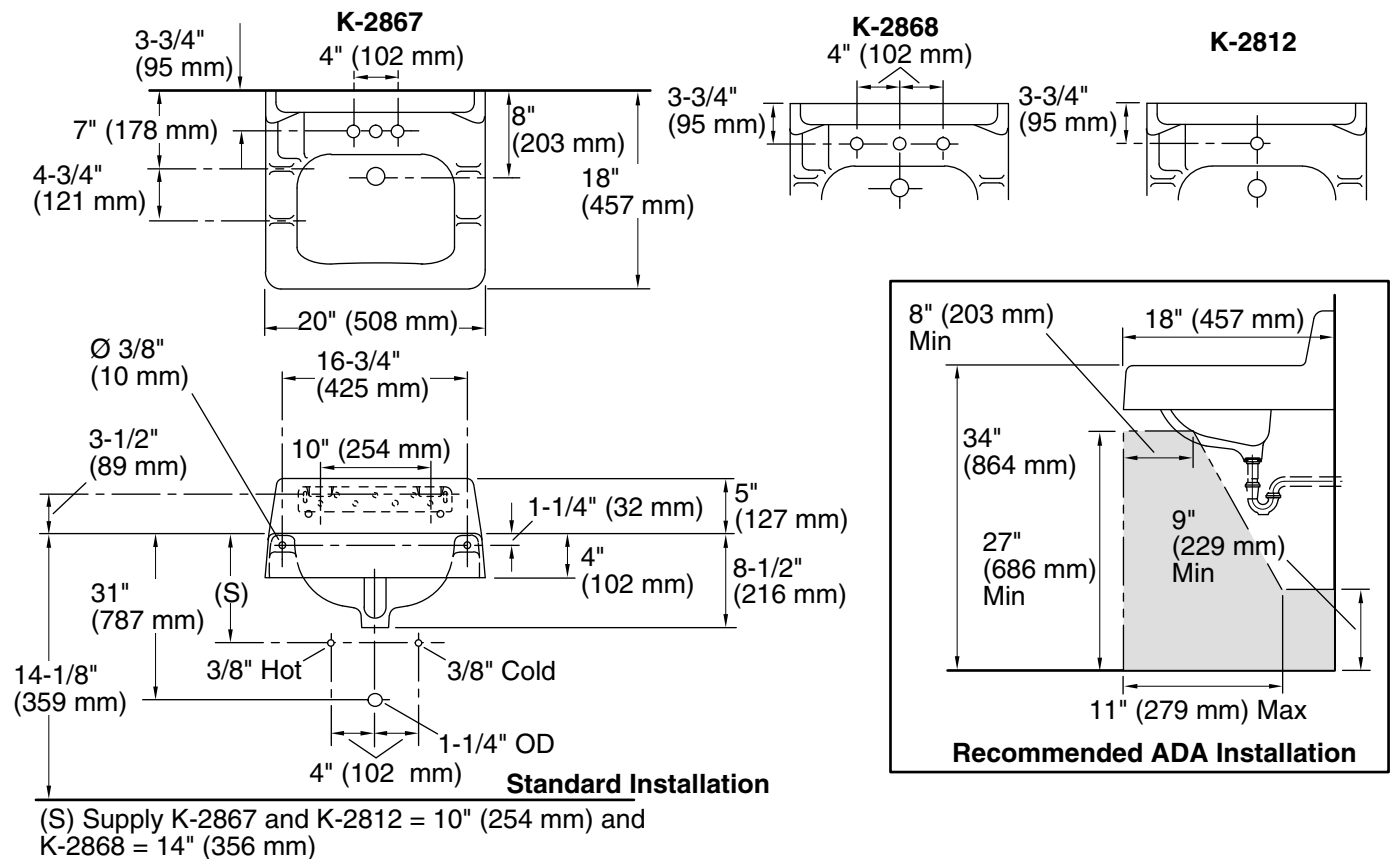
Fixture*:	
Basin area	15" (381 mm) x 10" (254 mm)
Water depth	5" (127 mm)
Drain hole	Ø 1-11/16" (43 mm)
* Approximate measurements for comparison only.	

Holes	K-2868	K-2867	K-2812
Spout	Ø 1-1/8" (29 mm)	Ø 1-1/8" (29 mm)	Ø 1-3/8" (35 mm)
Faucet	Ø 1-3/8" (35 mm)	Ø 1-3/16" (30 mm)	NA

Included components:	
Hanger	64503

## Installation Notes

Install this product according to the installation guide. Will comply with **ADA** when installed per section 606 Lavatories of the Act.



## Product Diagram