

BATH

**K-1115-L**  
ALSO K-1115-R

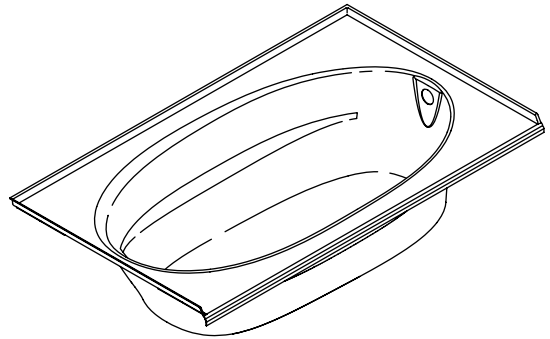
### Features

- Acrylic
- Rectangular shape
- Molded lumbar supports and armrests
- Drop-in, 3-side integral flange
- 72" (182.9 cm) x 42" (106.7 cm) x 21" (53.3 cm)

### Codes/Standards Applicable

Specified model meets or exceeds the following:

- ANSI Z124.1.2



### Colors/Finishes

- 0: White
- Other: Refer to Price Book for additional colors/finishes

### Accessories

- CP: Polished Chrome

### Specified Model

Model	Description	Colors/Finishes	
K-1115-L	Bath – drop-in, 3-side integral flange, left drain	<input type="checkbox"/> 0	<input type="checkbox"/> Other _____
K-1115-R	Bath – drop-in, 3-side integral flange, right drain (shown)	<input type="checkbox"/> 0	<input type="checkbox"/> Other _____
Recommended Accessory			
K-7166-AF	Clearflo pop-up drain <b>OR</b>	<input type="checkbox"/> CP	<input type="checkbox"/> Other _____
K-11677	Swiftflo pop-up drain	<input type="checkbox"/> CP	<input type="checkbox"/> Other _____

### Product Specification

The acrylic drop-in bath shall be 72" (182.9 cm) in length, 42" (106.7 cm) in width, and 21" (53.3 cm) in height. Bath shall have a 3-side integral flange for alcove installation. Bath shall have molded lumbar supports and armrests. Bath shall be available with left or right drain. Bath shall be Kohler Model K-1115-\_\_\_\_-\_\_\_\_.

# WINDWARD™

## Technical Information

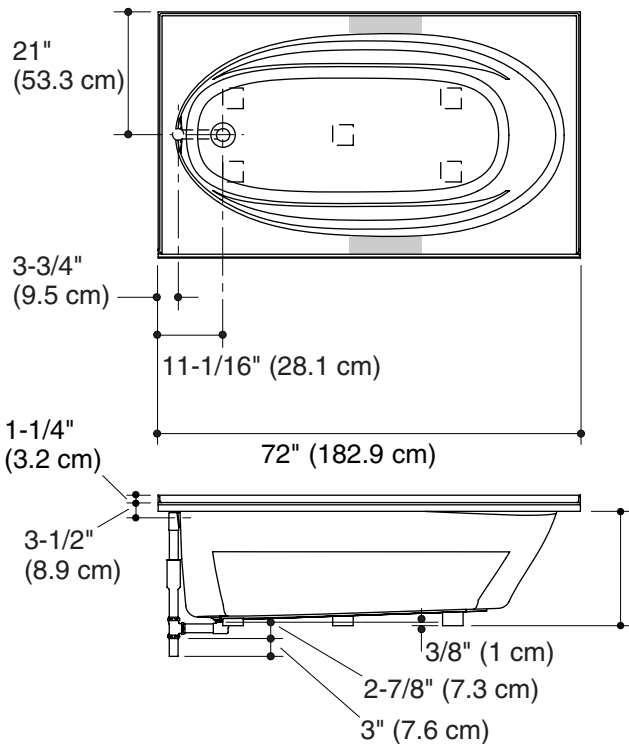
Fixture*:	
Bathing well:	
Basin area, bottom	55" (139.7 cm) x 23-1/4" (59.1 cm)
Basin area, top	64" (162.6 cm) x 32" (81.3 cm)
Weight	100 lbs (45 kg)
To overflow:	
Water depth	15" (38.1 cm)
Capacity	78.5 gal (297 L)
* Approximate measurements for comparison only.	
Drop-in cut-out dimensions:	70-1/2" (179.1 cm) x 40-1/2" (102.9 cm)

## Installation Notes

Install this product according to the installation guide.

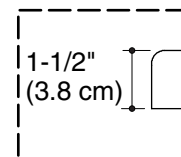
Floor support under the bath must provide for a minimum of 38 lbs/square foot (182 kg/square meter) loading.

If installing a rim-mount faucet, make sure there is no interference with the drain overflow before drilling any holes. Consult local and national codes for minimum air gap requirements if installing a spout on the faucet deck.

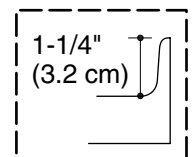


No change in measurements if connected with drain illustrated. (K-11677 or K-11677M)

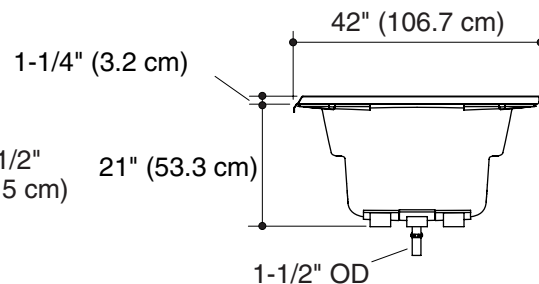
Recommended faucet area



Drop-In Rim Detail



Tile Flange Detail



## Product Diagram