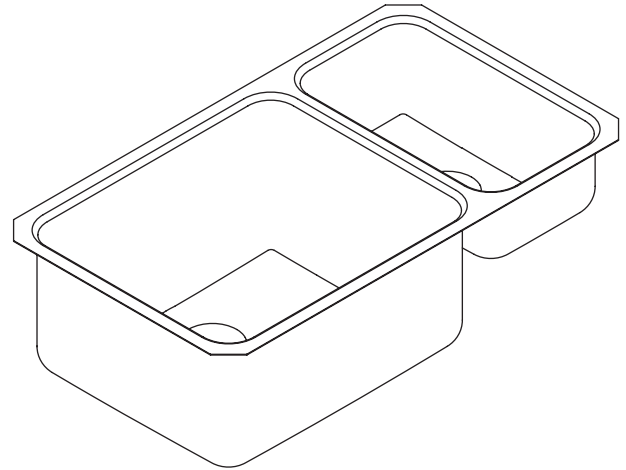


UNDERCOUNTER SINK K-3174 ALSO K-3174-L

Features

- 18-gauge stainless steel
- Undercounter
- Includes installation hardware
- Squared bowl(s)
- 29-1/4" (74.3 cm) x 15-3/4" (40 cm)
- 9-1/2" (24.1 cm) deep left basin and 5-1/2" (14 cm) deep right basin (K-3174)
- 5-1/2" (14 cm) deep left basin and 9-1/2" (24.1 cm) deep right basin (K-3174-L)



Codes/Standards Applicable

Specified model meets or exceeds the following:

- ASME A112.19.3/CSA B45.4

Colors/Finishes

- NA: None applicable

Accessories

- CP: Polished Chrome
- 0: White
- Other: Refer to Price Book for additional colors/finishes
- NA: None applicable

Specified Model

Model	Description	Colors/Finishes
K-3174	Undercounter sink with 9-1/2" (24.1 cm) deep left basin and 5-1/2" (14 cm) deep right basin	<input type="checkbox"/> NA
K-3174-L	Undercounter sink with 5-1/2" (14 cm) deep left basin and 9-1/2" (24.1 cm) deep right basin	<input type="checkbox"/> NA

Optional Accessories					
K-3277	Wire basket (for large basin)	<input type="checkbox"/> 0			<input type="checkbox"/> Other_____
K-3294	Hardwood cutting board (for large basin)		<input type="checkbox"/> NA		
K-8801	Duostrainer® sink strainer			<input type="checkbox"/> CP	<input type="checkbox"/> Other_____

Product Specification

The undercounter sink shall be 29-1/4" (74.2 cm) in length and 15-3/4" (40 cm) in width. Sink shall be made of 18 gauge stainless steel. Sink shall be double (high/low) compartment with squared bowls. Kohler Model K-3174 sink shall have 9-1/2" (24.1 cm) deep left basin and 5-1/2" (14 cm) deep right basin. Kohler Model K-3174-L sink shall have 5-1/2" (14 cm) deep left basin and 9-1/2" (24.1 cm) deep right basin. Sink shall include installation hardware. Sink shall be Kohler Model K-3174-_____.

UNDERTONE®

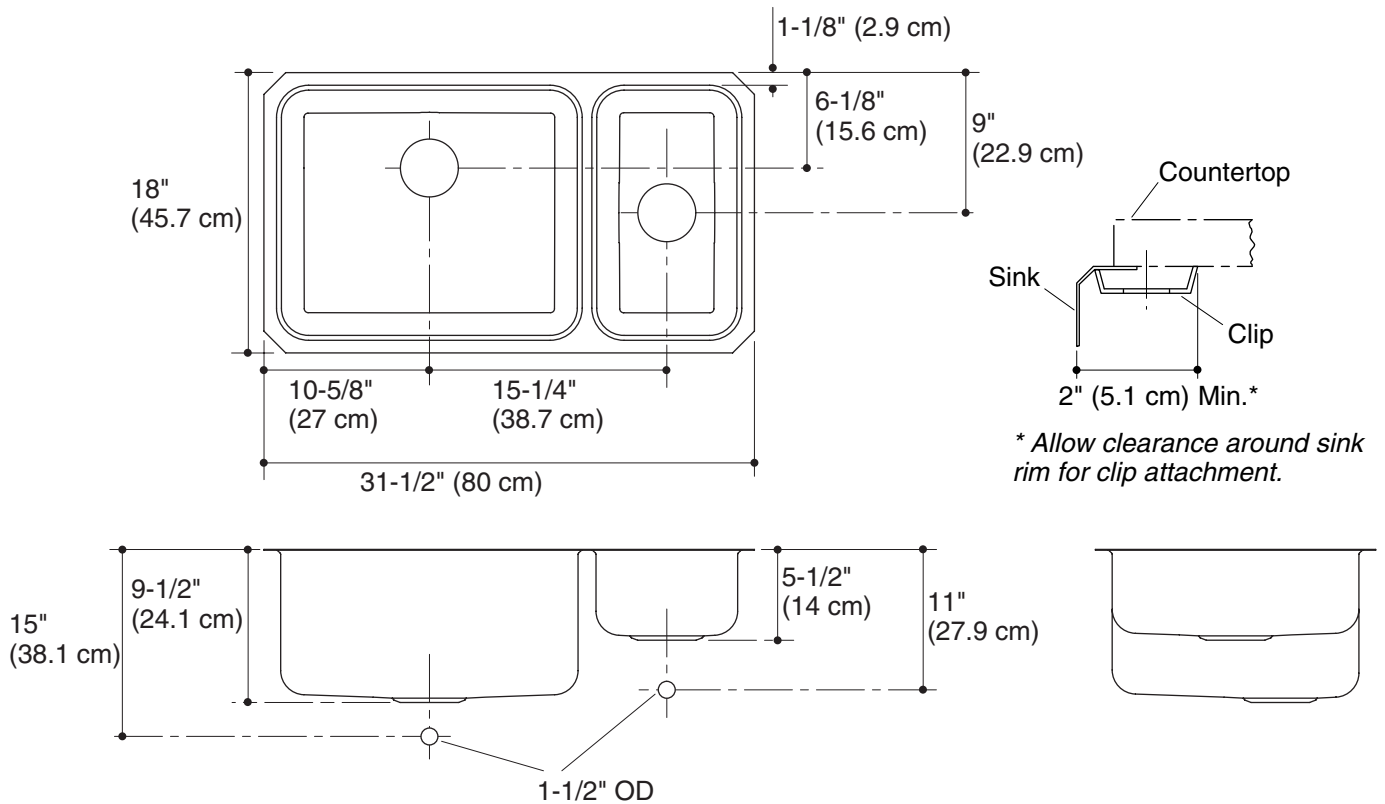
Technical Information

Dimensions shown for K-3174; sink dimensions are opposite for K-3174-L.		
Fixture:*	Basin area	Water depth
Sink, left	19" (48.3 cm) x 16" (40.6 cm)	9-1/2" (24.1 cm)
Sink, right	9" (22.9 cm) x 16" (40.6 cm)	5-1/2" (14 cm)
Drain Holes	3-5/8" (9.2 cm) D.	
* Approximate measurements for comparison only.		

Included components:	
Hardware kit (4 required)	91915
Cutout template	1040556-7

Installation Notes

Install this product according to the installation guide.



Product Diagram