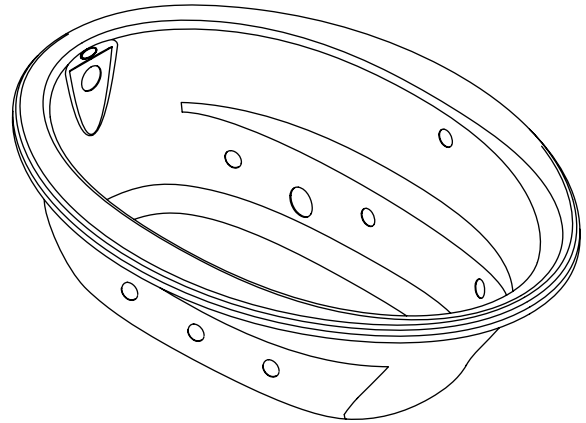


BATH WHIRLPOOL K-1162

Features

- Acrylic
- Oval shape
- Drop-in
- 6 individually adjustable ProFlex® hydro-massage jets
- Pump with air switch and grounding-type plug-in cord
- Molded lumbar supports and armrests
- Optional K-1491 removable bath pillow
- Optional K-1601 removable footstop
- Optional K-9696 whirlpool trim kit in various finishes
- 60" (152.4 cm) x 42" (106.7 cm) x 21" (53.3 cm)



Codes/Standards Applicable

Specified model meets or exceeds the following:

- ANSI Z124.1.2
- ASME A112.19.7
- UL 1795
- ASTM E162
- ASTM E662

Colors/Finishes

- 0: White
- Other: Refer to Price Book for additional colors/finishes

Accessories

- 0: White
- CP: Polished Chrome
- PB: Vibrant® Polished Brass
- NA: None applicable
- Other: Refer to Price Book for additional colors/finishes

Specified Model

Model	Description	Colors/Finishes	
K-1162	Bath whirlpool – drop-in (shown)	<input type="checkbox"/> 0	<input type="checkbox"/> Other_____
Recommended Accessories			
K-11677	Swiftflo™ adjustable trip lever drain	<input type="checkbox"/> CP	<input type="checkbox"/> PB
Optional Accessories			
K-576	Undermount kit		<input type="checkbox"/> NA
K-1491	Pillow	<input type="checkbox"/> 0	<input type="checkbox"/> Other_____
K-1601	Footstop	<input type="checkbox"/> 0	<input type="checkbox"/> Other_____
K-9696	Jet trim kit (metal finishes)	<input type="checkbox"/> 0	<input type="checkbox"/> CP <input type="checkbox"/> Other_____

Product Specification

The drop-in oval shaped bath whirlpool shall be made of acrylic. Bath whirlpool shall be 60" (152.4 cm) in length, 42" (106.7 cm) in width, and 21" (53.3 cm) in height. Bath whirlpool shall have 6 individually adjustable ProFlex hydro-massage jets, a pump with air switch and grounding type plug-in cord. Bath whirlpool shall have molded lumbar supports and armrests. Bath whirlpool shall be Kohler Model K-1162-_____.

SUNWARD®

Technical Information

Fixture*:	
Bathing well:	
Basin area, bottom	43" (109.2 cm) x 21-9/16" (54.8 cm)
Basin area, top	53-1/2" (135.9 cm) x 32-1/8" (81.6 cm)
Weight	110 lbs (50 kg)
To overflow:	
Water depth	15" (38.1 cm)
Capacity	57 gal (215.9 L)
* Approximate measurements for comparison only.	

Pump:	V	Hz	A
1-speed	120	60	7.5
Minimum access panel pump/control:			
20" (50.8 cm) W x 15" (38.1 cm) H			required

Included components:	
Cut-out template	1042556-7

Required Electrical Service

Dedicated circuit required, protected with Class A Ground-Fault Circuit-Interrupter (GFCI):	
Pump/control	120 V, 15 A, 60 Hz
Locate the outlet behind the whirlpool and within 24" (61 cm) of the pump.	

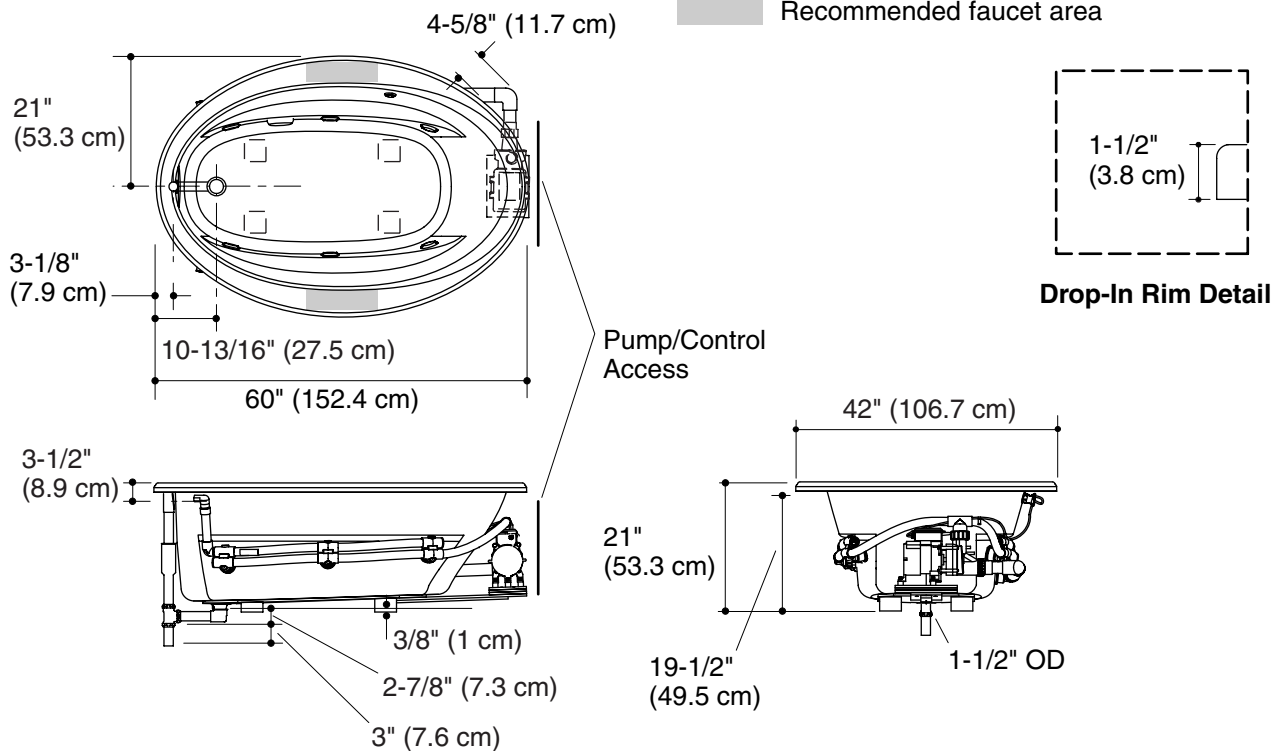
Installation Notes

Install this product according to the installation guide.

Floor support under whirlpool must provide for a minimum of 35 lbs/square foot (171 kg/square meter) loading.

The suction line extends 4-5/8" (11.7 cm) beyond the edge of the rim. The pump base extends 1/8" (3 mm) beyond the edge of the rim. Modify the framing as needed.

No change in measurements if connected with drain illustrated. (K-11677 or K-11677M)



Product Diagram