

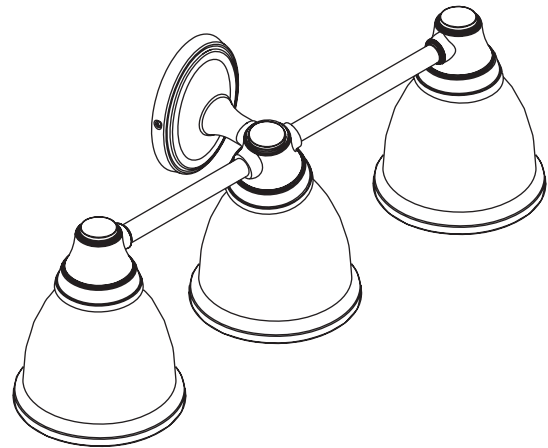


Features

- Metal construction
- Complements the Forté® Sculpted and Forté Traditional faucet line
- Can be positioned facing up or down
- Maximum 100-W bulb (not supplied) required for each light

TRANSITIONAL WALL SCONCE K-11365

ALSO K-11366, K-11367



Codes/Standards Applicable

Specified model meets or exceeds the following:

- UL 1598
- CSA 250.0

Colors/Finishes

- CP: Polished Chrome
- BN: Brushed Nickel
- G: Brushed Chrome

Specified Model

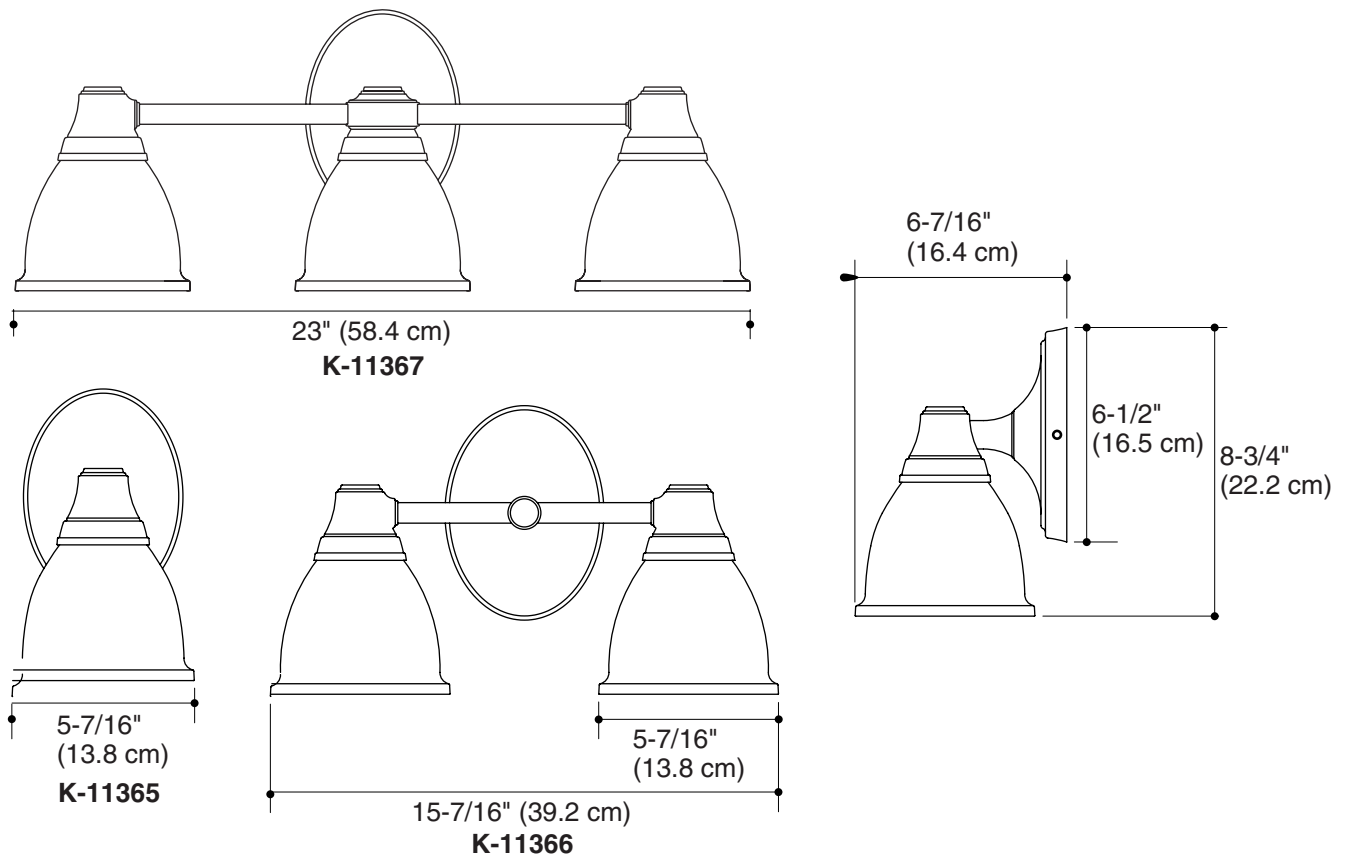
Model	Description	Colors/Finishes		
K-11365	Wall sconce – single-light	<input type="checkbox"/> CP	<input type="checkbox"/> BN	<input type="checkbox"/> G
K-11366	Wall sconce – double-light	<input type="checkbox"/> CP	<input type="checkbox"/> BN	<input type="checkbox"/> G
K-11367	Wall sconce – triple-light (shown)	<input type="checkbox"/> CP	<input type="checkbox"/> BN	<input type="checkbox"/> G

Product Specification

The wall sconce shall be of metal construction. Product shall include installation hardware. Product shall require a maximum 100-W bulb (not supplied) for each light. Product shall be positioned facing up or down. Product shall complement the Forté Sculpted and Forté Traditional faucet line. Wall sconce shall be Kohler Model K-____-____.

Installation Notes

Install this product according to the installation guide.



Product Diagram

TRANSITIONAL WALL SCONCE

Page 2 of 2
1041770-4-D

THE BOLD LOOK
OF **KOHLER**