

Features

- Available with cross or lever handles
- Handle assembly
- Front seal plate assembly
- Brass construction
- Complements *Memoirs® Suite*

**THERMOSTATIC FAUCET TRIM
K-T10421**

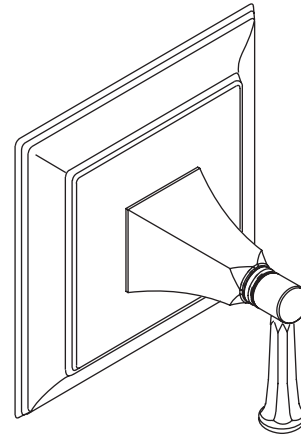
ALSO K-T10422, K-T10423, K-T10424

ADA

Codes/Standards Applicable

Specified model meets or exceeds the following:

- ADA
- ASME A112.18.1/CSA B125.1
- ICC/ANSI A117.1



Colors/Finishes

- CP: Polished Chrome
- Other: Refer to Price Book for additional colors/finishes
- NA: None applicable

Specified Model

For complete faucet, both faucet trim and valving must be specified.			
Model	Description	Colors/Finishes	
K-T10421-3S	Thermostatic Valve Trim, Cross Handle	<input type="checkbox"/> CP	<input type="checkbox"/> Other ____
K-T10421-4S	Thermostatic Valve Trim, Faceted Lever Handle (shown)	<input type="checkbox"/> CP	<input type="checkbox"/> Other ____
K-T10421-4V	Thermostatic Valve Trim, Deco Lever Handle	<input type="checkbox"/> CP	<input type="checkbox"/> Other ____
K-T10422-3S	Stacked Thermostatic Valve Trim, Cross Handle	<input type="checkbox"/> CP	<input type="checkbox"/> Other ____
K-T10422-4S	Stacked Thermostatic Valve Trim, Faceted Lever Handle	<input type="checkbox"/> CP	<input type="checkbox"/> Other ____
K-T10422-4V	Stacked Thermostatic Valve Trim, Deco Lever Handle	<input type="checkbox"/> CP	<input type="checkbox"/> Other ____
K-T10423-3S	Volume Control Trim, Cross Handle	<input type="checkbox"/> CP	<input type="checkbox"/> Other ____
K-T10423-4S	Volume Control Trim, Faceted Lever Handle	<input type="checkbox"/> CP	<input type="checkbox"/> Other ____
K-T10423-4V	Volume Control Trim, Deco Lever Handle	<input type="checkbox"/> CP	<input type="checkbox"/> Other ____
K-T10424-3S	Transfer Valve Trim, Cross Handle	<input type="checkbox"/> CP	<input type="checkbox"/> Other ____
K-T10424-4S	Transfer Valve Trim, Faceted Lever Handle	<input type="checkbox"/> CP	<input type="checkbox"/> Other ____
K-T10424-4V	Transfer Valve Trim, Deco Lever Handle	<input type="checkbox"/> CP	<input type="checkbox"/> Other ____

Product Specification

Thermostatic faucet trim shall be of brass construction. Trim shall include front seal plate assembly and handle assembly. Product shall be available with cross or lever handles. Thermostatic faucet trim shall complement the *Memoirs® Suite*. Faucet trim shall be Kohler Model K-T____-____-____ and thermostatic valving shall be Kohler Model K-____-____-NA.

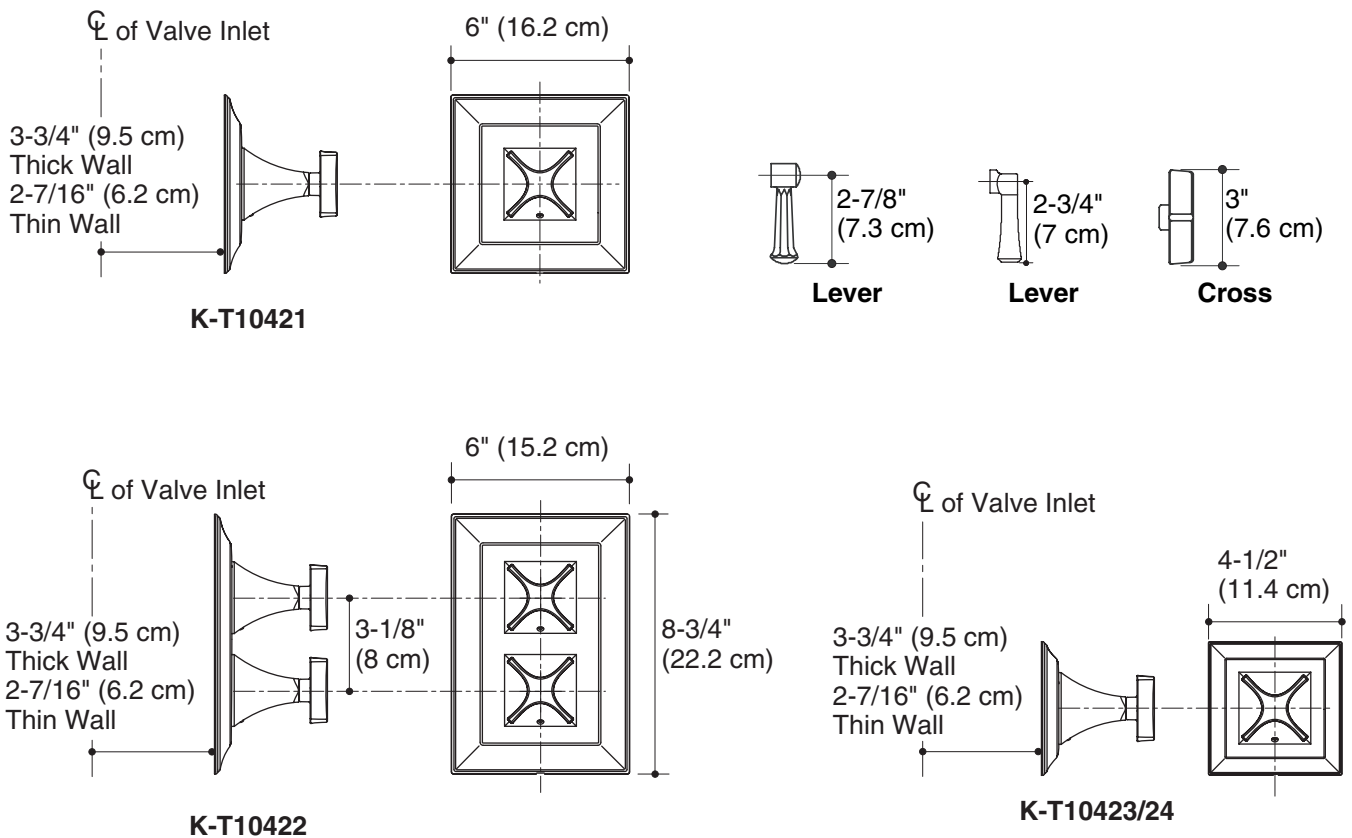
MEMOIRS® STATELY

Required Accessory

K-669-KS	3/4" Thermostatic valve	<input type="checkbox"/> NA
K-670-KS	3/4" Stacked thermostatic valve	<input type="checkbox"/> NA
K-671-K	3/4" Volume control	<input type="checkbox"/> NA
K-679-KS	1/2" Thermostatic valve	<input type="checkbox"/> NA
K-680-KS	1/2" Stacked thermostatic valve	<input type="checkbox"/> NA
K-681-K	1/2" Volume control	<input type="checkbox"/> NA
K-728-K	3/4" Transfer valve	<input type="checkbox"/> NA

Installation Notes

Install this product according to the installation guide.



Product Diagram