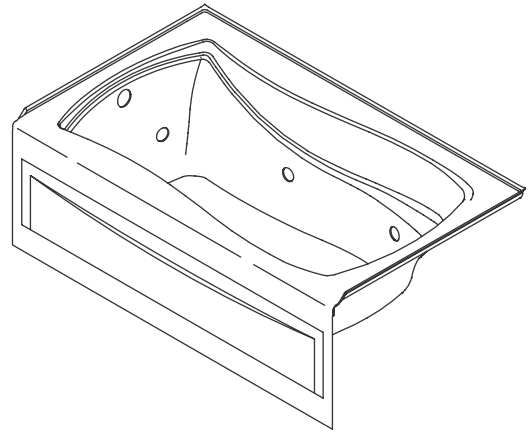


Features

- Acrylic
- 5 individually adjustable ProFlex® hydro-massage jets
- Pump with air switch and grounding-type plug-in cord
- Integral apron with removable access panel
- Left or right drain
- Textured bottom surface
- Optional K-1717 timer kit
- Optional K-1234 removable apron
- Optional K-9695 metal finish 5 jet trim kit
- Integral tile flange on three sides for alcove installation
- 66" (167.6 cm) x 35-7/8" (91.1 cm) x 20" (50.8 cm)

BATH WHIRLPOOL WITH INTEGRAL APRON

K-1224-LA
ALSO K-1224-RA



Codes/Standards Applicable

Specified model meets or exceeds the following:

- ANSI Z124.1.2
- ASME A112.19.7M
- UL 1795

Colors/Finishes

- 0: White
- Other: Refer to Price Book for additional colors/finishes

Accessories

- 0: White
- CP: Polished Chrome
- PB: Polished Brass
- NA: None applicable
- Other: Refer to Price Book for additional colors/finishes

Specified Model

Model	Description	Colors/Finishes	
K-1224-LA	Bath whirlpool with integral apron – left drain (shown)	<input type="checkbox"/> 0	<input type="checkbox"/> Other_____
K-1224-RA	Bath whirlpool with integral apron – right drain	<input type="checkbox"/> 0	<input type="checkbox"/> Other_____

Recommended Accessories				
K-7166-AF	Adjustable pop-up bath drain	<input type="checkbox"/> CP	<input type="checkbox"/> PB	<input type="checkbox"/> Other_____
K-7213	Clearflo bath cable drain with PVC tubing	<input type="checkbox"/> CP		<input type="checkbox"/> Other_____
K-7214	Clearflo bath cable drain without PVC tubing	<input type="checkbox"/> CP		<input type="checkbox"/> Other_____

Product Specification

The acrylic bath whirlpool shall be 66" (167.6 cm) in length, 35-7/8" (91.1 cm) in width, and 20" (50.8 cm) in height. Product shall have integral apron with removable access panel and integral tile flange on three sides for alcove installation. Product shall have a textured bottom surface and a drain at left or right. Product shall have 5 individually adjustable Proflex hydro-massage jets, a pump with air switch and grounding-type plug-in cord. Product shall have an optional K-1234 removable apron, an optional K-1717 timer kit and an optional K-9695 metal finish 5 jet trim kit. Bath whirlpool shall be Kohler Model K-1224-____-____.

MARIPOSA®

Optional Accessories

K-1234	Removable apron	<input type="checkbox"/> 0			<input type="checkbox"/> Other_____
K-1717	20-minute timer kit			<input type="checkbox"/> NA	
K-9695	Metal finish 5 jet trim kit		<input type="checkbox"/> CP	<input type="checkbox"/> PB	<input type="checkbox"/> Other_____

Technical Information

Fixture*:	
Basin area:	
Bathing well, bottom	48" (121.9 cm) x 24" (61 cm)
Bathing well, top	59" (149.9 cm) x 30" (76.2 cm)
Weight	110 lbs (49.9 kg)
To overflow:	
Water depth	14" (35.6 cm)
Capacity	67 gal (254 L)
* Approximate measurements for comparison only.	

Pump	V	Hz	A
1-speed	120	60	7.5

Required Electrical Service

Dedicated circuit required, protected with a Class A Ground-Fault Circuit-Interrupter (GFCI).

Pump/control 120 V, 15A, 60 Hz

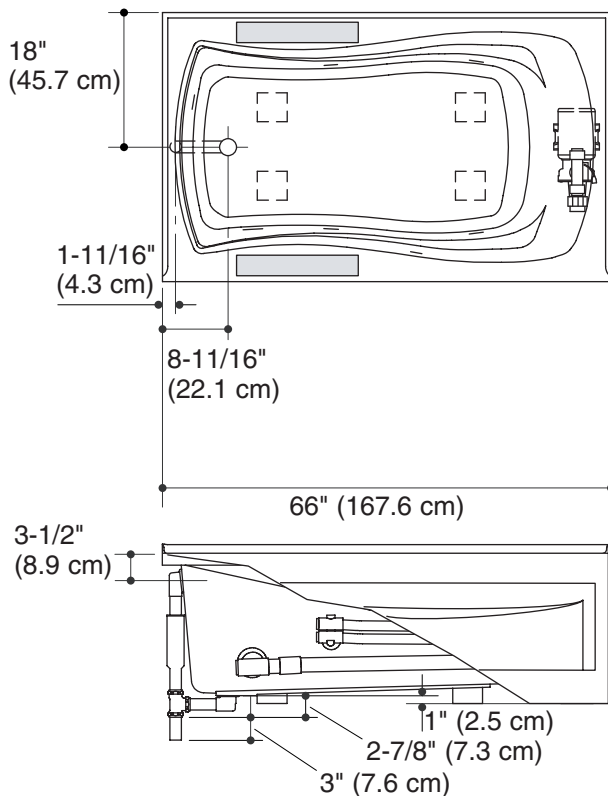
Locate the outlet behind the whirlpool and within 24" (61 cm) of the pump

Installation Notes

Install this product according to the installation guide.

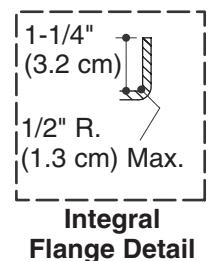
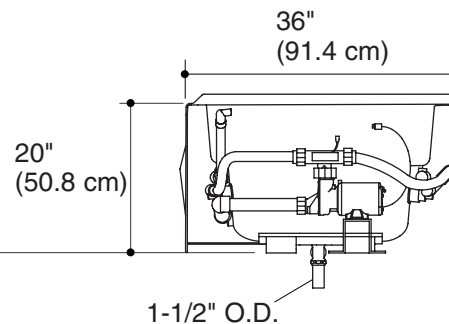
Floor support under whirlpool must provide for a minimum of 42 lbs/square foot (205 kg/square meter).

If installing a rim-mount faucet, make sure there is no interference with the drain overflow before drilling any holes. Consult local and national codes for minimum air gap requirements if installing a spout on the faucet deck.



No change in measurements with drain shown. (K-7161-AF or K-7161M-AF)

█ Recommended faucet area.



Product Diagram